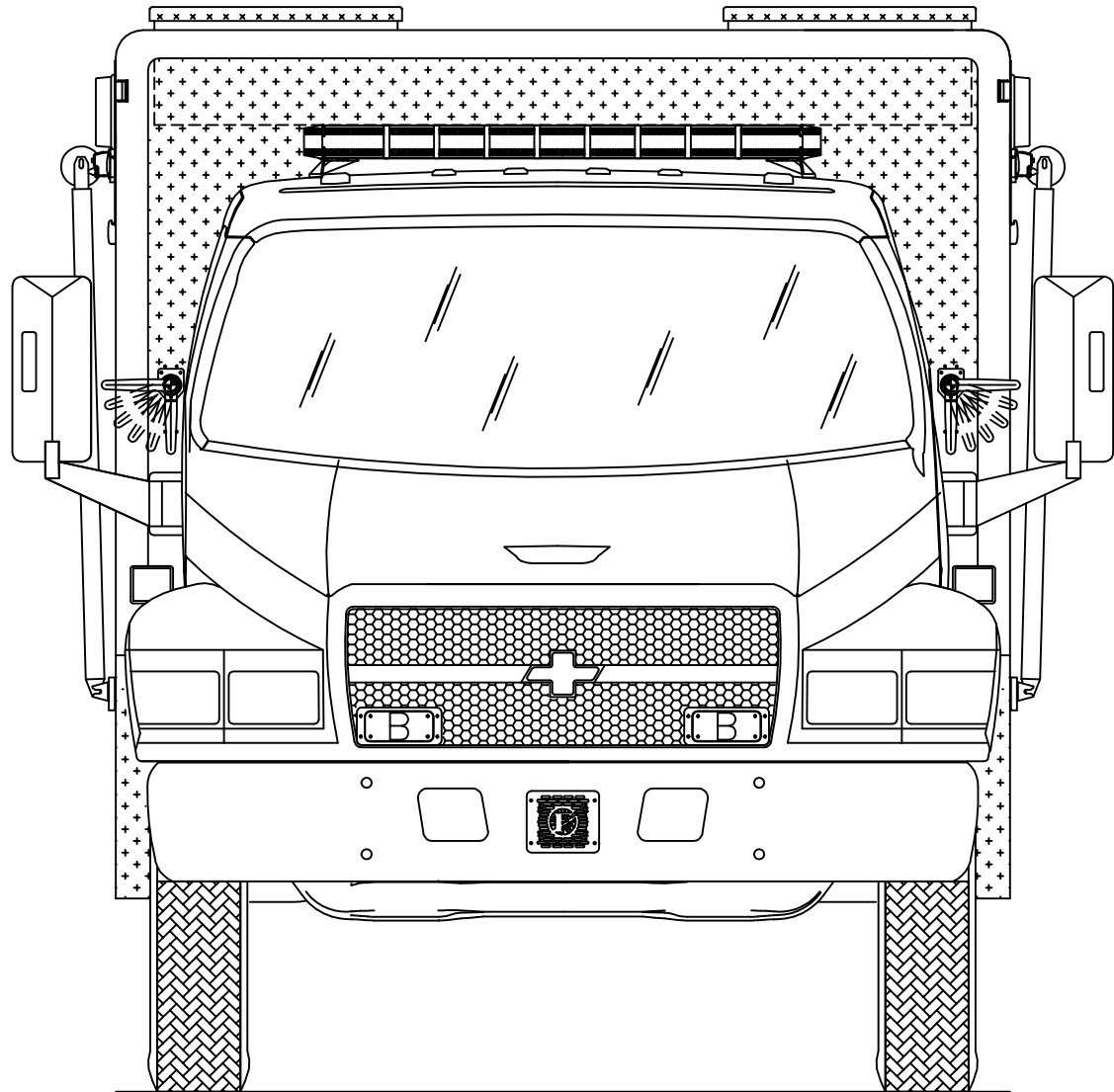


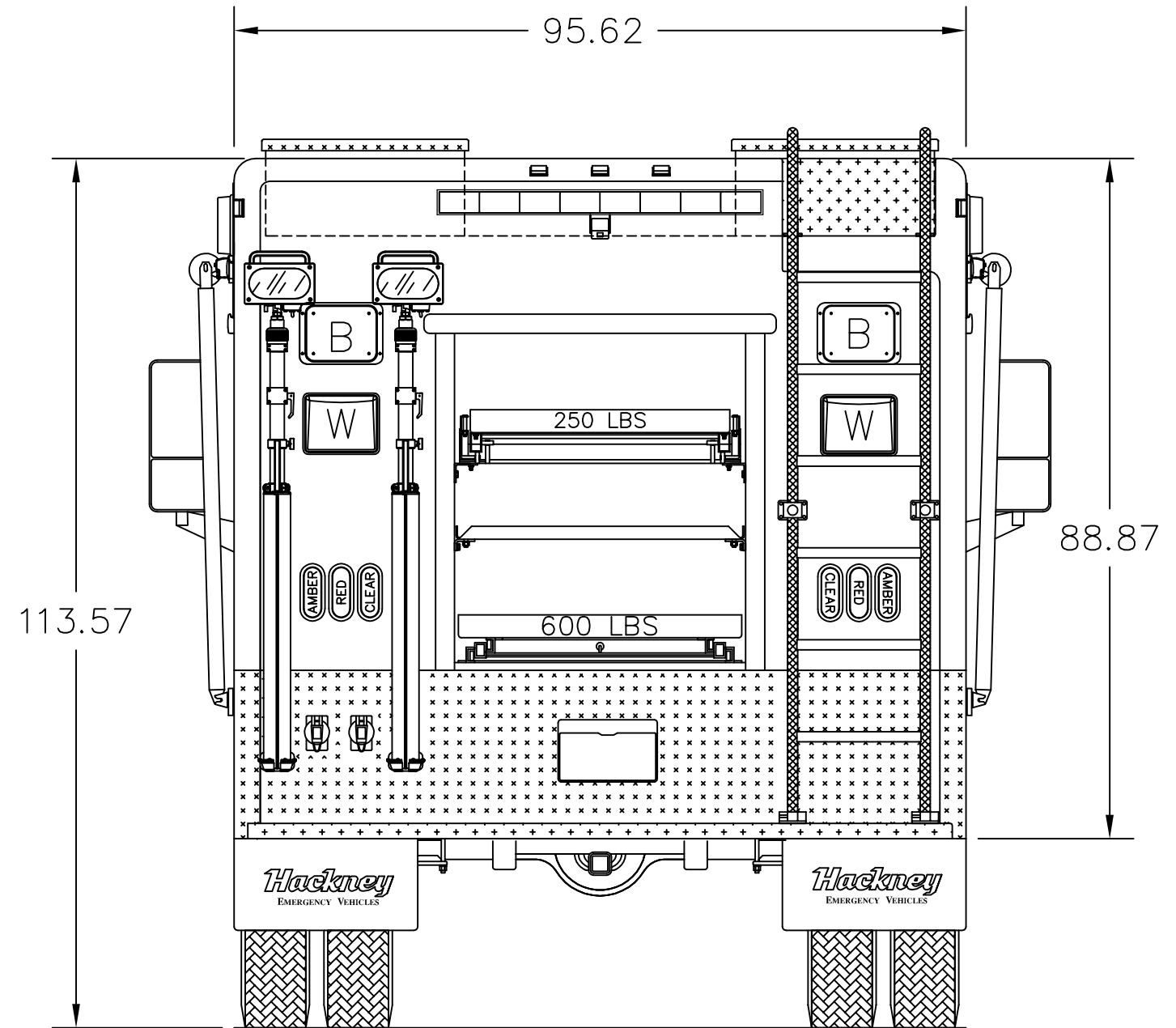
Compartment Legend			
	H	W	D
B1	43	38	48
B2	-	-	-
B3	-	-	-

\*Door height 1" higher

\*\*\*ORIGINAL\*\*\*



FRONT VIEW



REAR VIEW

CHEV 5500 2D-4WD-108CA-36/36/48/40

THIS PRINT AND ALL RIGHTS TO THE DESIGN AND DETAIL THEREON ARE THE PROPERTY OF HACKNEY, WASHINGTON, N.C. AND IS LOANED TO THE RECIPIENT SUBJECT TO RETURN UPON DEMAND. ITS CONTENTS ARE CONFIDENTIAL AND MUST NOT BE COPIED OR SUBMITTED TO OUTSIDE PARTIES FOR USE OR EXAMINATION.

NOTE: ESTIMATED DIMENSIONS. MEASUREMENTS DEPEND ON CHASSIS, TIRES, SPRINGS, AND LOADING.



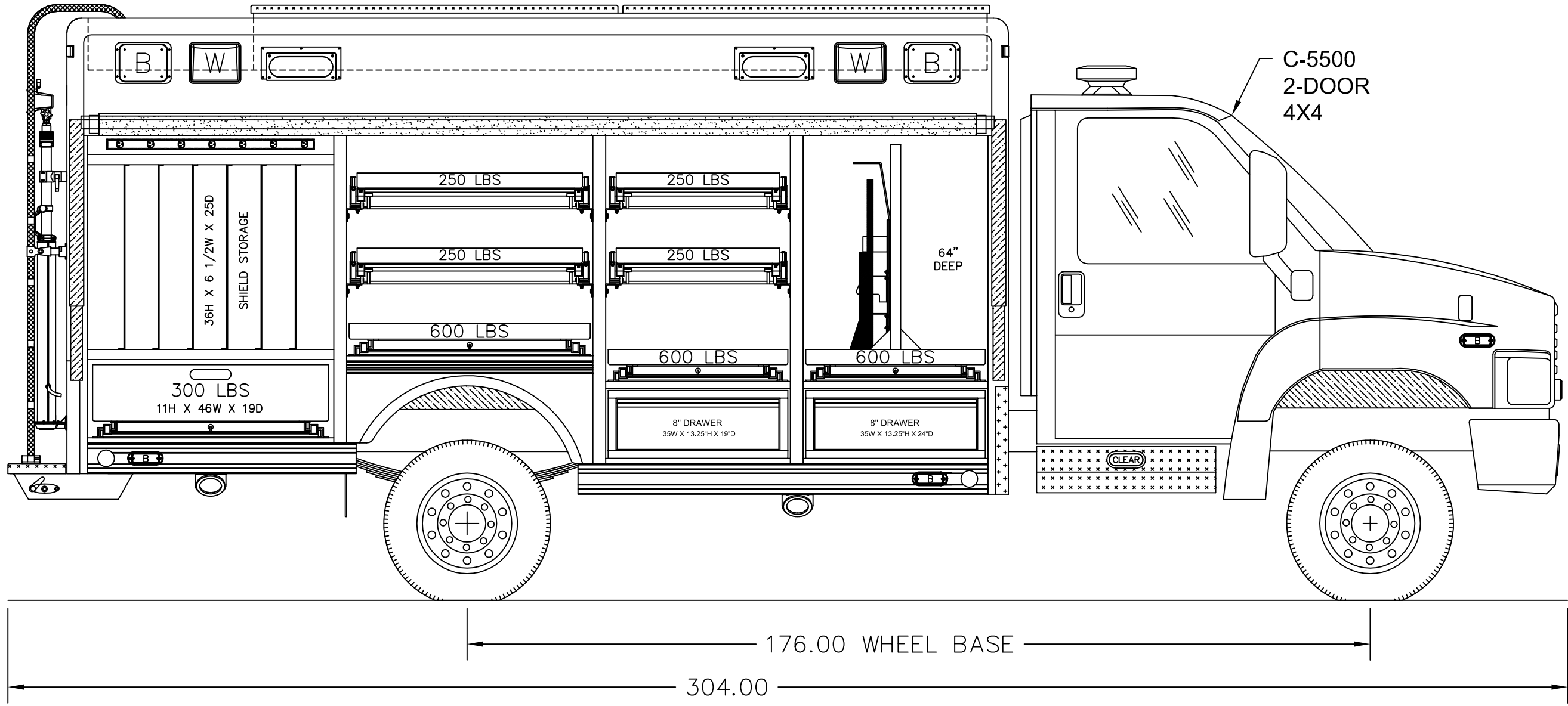
© 2006 HACKNEY  
A Division of SVC

EMERGENCY VEHICLES  
DIVISION  
WASHINGTON, NC 27889-0880

DRAWN BY EES	DATE 7/27/09	CUSTOM DESIGN FOR: <b>RICHMOND POLICE DEPARTMENT</b>		
SHEET 1 OF 1	MODEL: 20-11-1102	SCALE 20	DRAWING NO. D-09C-101	REV. -

Compartment Legend			
	H	W	D
C1	63	36	64/25
C2	63	36	90/25
C3	43	48	90
C4	59	48	25

\*Door height 1" higher



\*\*\*ORIGINAL\*\*\*

### CURBSIDE (RIGHT)

CHEV 5500 2D-4WD-108CA-36/36/48/40

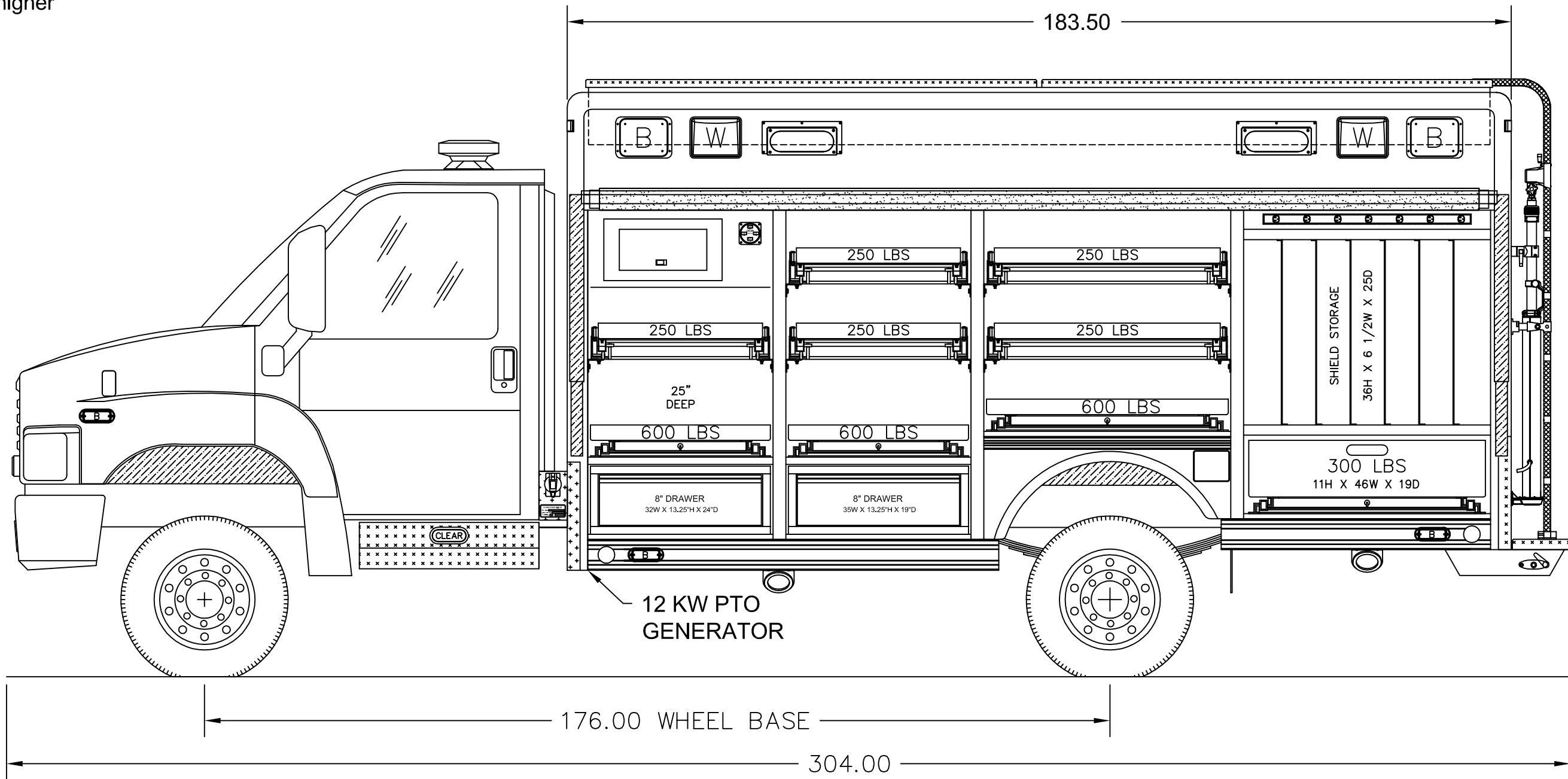
<p>THIS PRINT AND ALL RIGHTS TO THE DESIGN AND DETAIL THEREON ARE THE PROPERTY OF HACKNEY, WASHINGTON, N.C. AND IS LOANED TO THE RECIPIENT SUBJECT TO RETURN UPON DEMAND. ITS CONTENTS ARE CONFIDENTIAL AND MUST NOT BE COPIED OR SUBMITTED TO OUTSIDE PARTIES FOR USE OR EXAMINATION.</p>		<p><b>Hackney</b> EMERGENCY VEHICLES</p>		<p>© 2006 HACKNEY A Division of SVC</p>		<p>EMERGENCY VEHICLES DIVISION WASHINGTON, NC 27889-0880</p>	
<p>DRAWN BY <b>EES</b></p>	<p>DATE <b>9/21/09</b></p>	<p>CUSTOM DESIGN FOR:</p>				<p><b>RICHMOND</b></p>	
<p>SHEET <b>1 OF 1</b></p>		<p><b>POLICE DEPARTMENT</b></p>				<p>REV. <b>A</b></p>	
<p>MODEL: <b>20-11-1102</b></p>		<p>SCALE <b>22</b></p>		<p>DRAWING NO. <b>D-09C-100</b></p>		<p>REV. <b>A</b></p>	

NOTE: ESTIMATED DIMENSIONS. MEASUREMENTS DEPEND ON CHASSIS, TIRES, SPRINGS, AND LOADING.

Compartment Legend			
	H	W	D
R1	63	36	25
R2	63	36	90/25
R3	43	48	90
R4	59	48	25

\*Door height 1" higher

\*\*\*ORIGINAL\*\*\*



## ROADSIDE (LEFT)

THIS PRINT AND ALL RIGHTS TO THE DESIGN AND DETAIL THEREON ARE THE PROPERTY OF HACKNEY, WASHINGTON, N.C. AND IS LOANED TO THE RECIPIENT SUBJECT TO RETURN UPON DEMAND. ITS CONTENTS ARE CONFIDENTIAL AND MUST NOT BE COPIED OR SUBMITTED TO OUTSIDE PARTIES FOR USE OR EXAMINATION.

NOTE: ESTIMATED DIMENSIONS. MEASUREMENTS DEPEND ON CHASSIS, TIRES, SPRINGS, AND LOADING.



© 2006 HACKNEY  
A Division of SVC

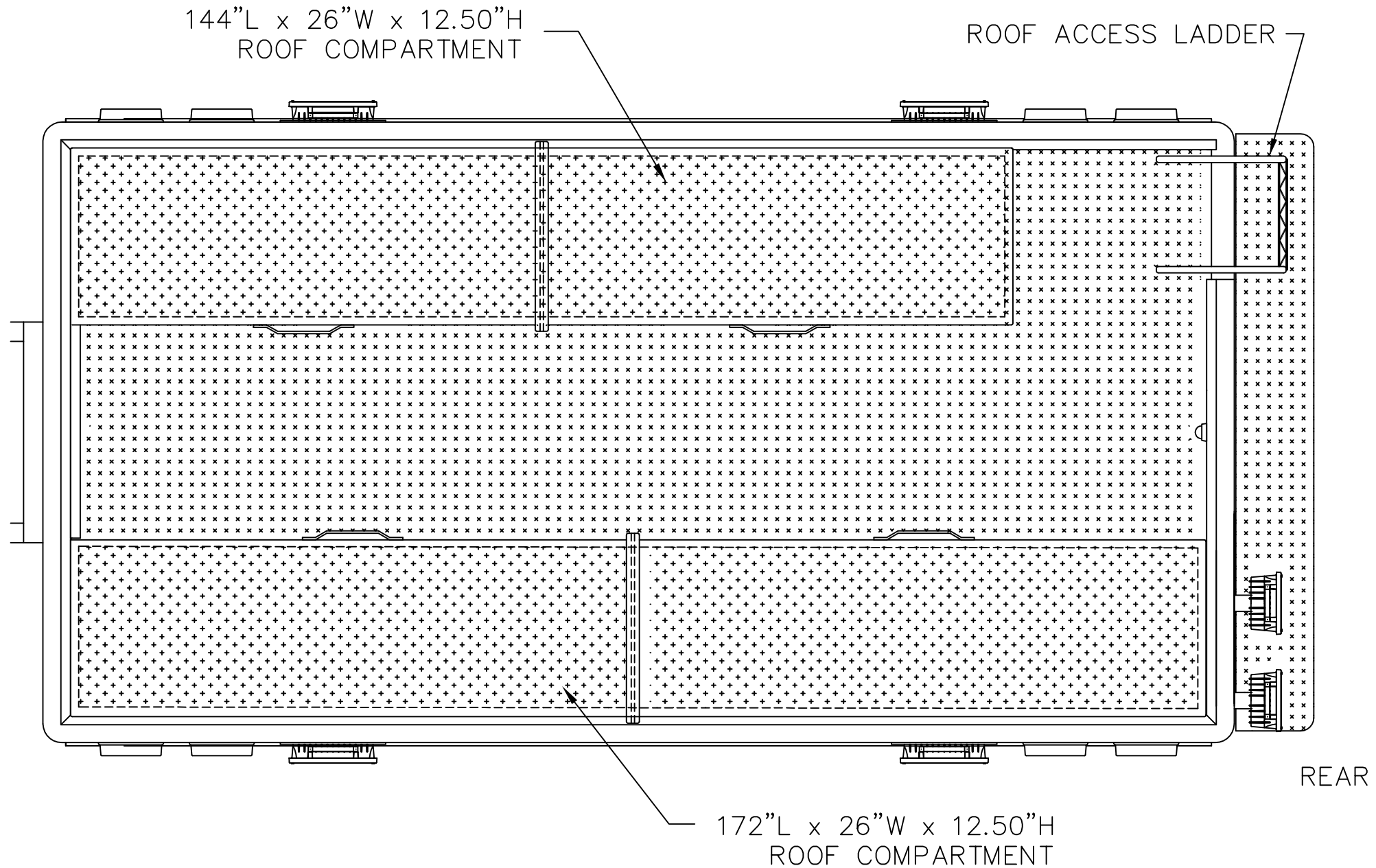
EMERGENCY VEHICLES  
DIVISION  
WASHINGTON, NC 27889-0880

DRAWN BY EES	DATE 9/21/09	CUSTOM DESIGN FOR: <b>RICHMOND POLICE DEPARTMENT</b>	
SHEET 1 OF 1	MODEL: 20-11-1102	SCALE 22	DRAWING NO. D-09C-099
			REV. -

CHEV 5500 2D-4WD-108CA-36/36/48/40

^ ^ ^ ^  
 x x x x  
 x x x x  
 x x x x  
 PATTERN INDICATES ANTI-SLIP DIAMOND TREADPLATE

+ + + +  
 + + + +  
 + + + +  
 + +  
 PATTERN INDICATES STANDARD DIAMOND TREADPLATE



THIS PRINT AND ALL RIGHTS TO THE DESIGN AND DETAIL THEREON ARE THE PROPERTY OF HACKNEY, WASHINGTON, N.C. AND IS LOANED TO THE RECIPIENT SUBJECT TO RETURN UPON DEMAND. ITS CONTENTS ARE CONFIDENTIAL AND MUST NOT BE COPIED OR SUBMITTED TO OUTSIDE PARTIES FOR USE OR EXAMINATION.

NOTE: ESTIMATED DIMENSIONS. MEASUREMENTS DEPEND ON CHASSIS, TIRES, SPRINGS, AND LOADING.



© 2006 HACKNEY  
 A Division of SVC

EMERGENCY VEHICLES  
 DIVISION  
 WASHINGTON, NC 27889-0880

DRAWN BY EES	DATE 7/27/09	CUSTOM DESIGN FOR: <b>RICHMOND POLICE DEPARTMENT</b>		
SHEET 1 OF 1	MODEL: 20-11-1102	SCALE 20	DRAWING NO. D-09C-114	REV. A