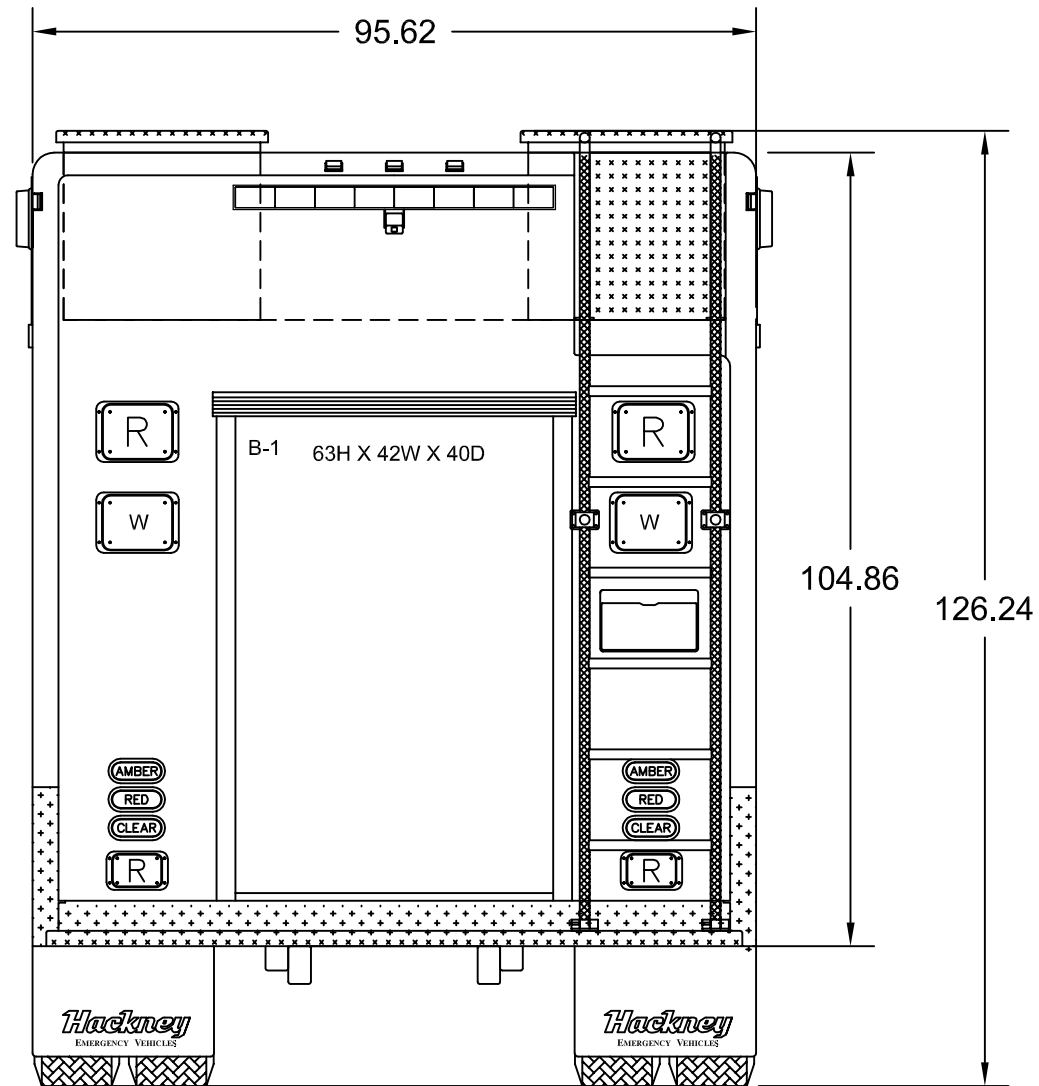
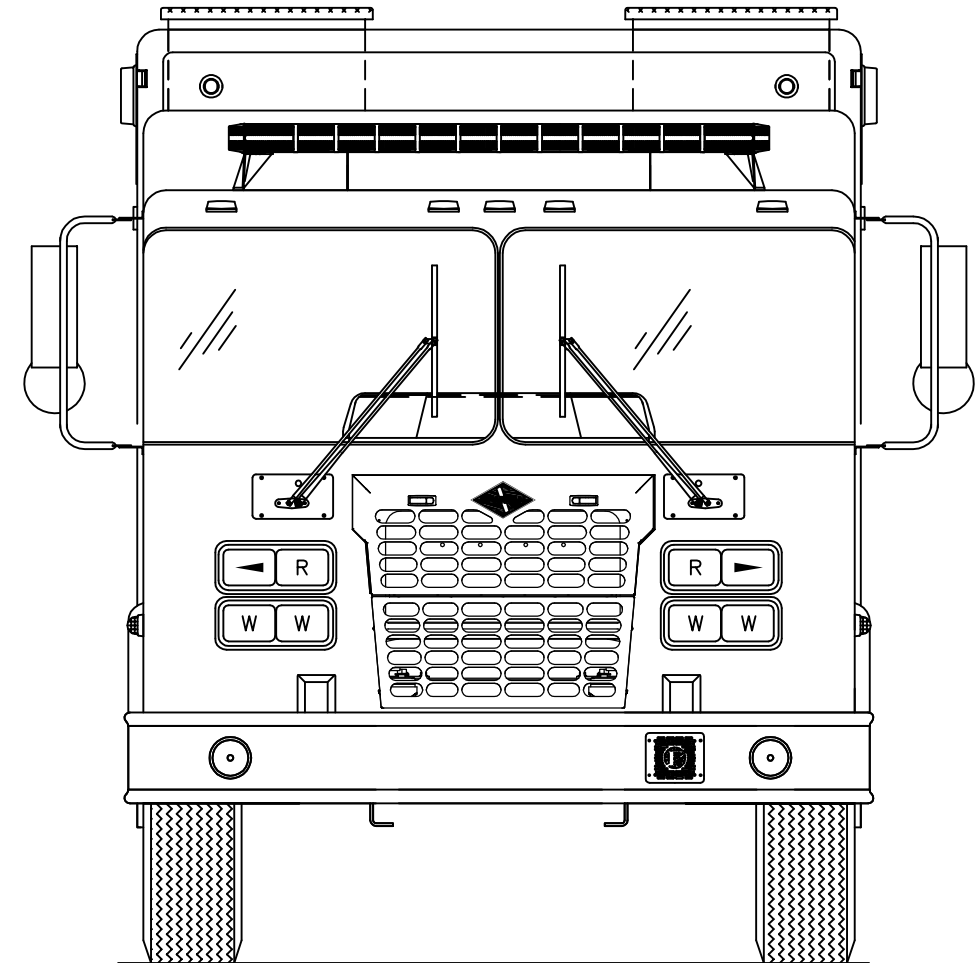


*** ORIGINAL ***



REAR VIEW



FRONT VIEW

THIS PRINT AND ALL RIGHTS TO THE DESIGN AND DETAIL THEREON ARE THE PROPERTY OF VT HACKNEY AND IS LOANED TO THE RECIPIENT SUBJECT TO RETURN UPON DEMAND. ITS CONTENTS ARE CONFIDENTIAL AND MUST NOT BE COPIED OR SUBMITTED TO OUTSIDE PARTIES FOR USE OR EXAMINATION. COPYRIGHT 2010 VT HACKNEY A COMPANY OF VT SYSTEMS

© 2010 VT HACKNEY INC

NOTE: ESTIMATED DIMENSIONS. MEASUREMENTS DEPEND ON CHASSIS, TIRES, SPRINGS, AND LOADING.

VT Hackney
A company of VT Systems

WASHINGTON, NC 27889-0880

Hackney

VisionComms

Kltron

DRAWN BY
EES

DATE
8/9/2012

CUSTOM DESIGN FOR:

NJPA

SHEET
1 OF 1

CONTRACT # 090512

MODEL:
20-11-4700

SCALE
25

DRAWING NO.
DFC-1164R-24-2013A

REV.