



**NJPA AWARDED CONTRACT 090512-VTH**

#### FORD F-550 - 2-DR/2WD - 108"CA

- XL trim level (XLT available as option)
- Prep Package: 47A Emergency Vehicle
- Engine: 6.7L Power Stroke 300hp @ 2800rpm; 660 lb-ft @ 1600rpm Turbo Diesel with aux. idle control
- Transmission: Heavy-duty TorqShift 6-speed SelectShift automatic
- Front Axle: 7000# Dana monobeam; forged steel
- Rear Axle: 14,706# Dana S130 with limited slip differential
- Rear Axle Ratio: 4.88
- Tires: 225/70R19.5 AS-BSW
- Driver/Passenger Seats: Individual high back vinyl with shoulder harness and lap belts
- Alternator (factory installed): Dual 160-amp
- Air Conditioner



#### FLUID LEVEL DATA - ELECTRONIC DISPLAY

WELDON VEHICLE DATA RECORDER (VDR) on VMUX LCD control panel displaying:

- vehicle speed; acceleration; - deceleration; engine speed; engine throttle position; ABS event; seat occupied status; - seat belt status; master optical warning switch; park brake; service brake; time; date; engine hours

"MUST BE SEATED AND BELTED" - WARNING PLATE

WARNING PLATE - VEHICLE SPECIFICATION DATA with the following vehicle specification data in compliance with NFPA 1901-2009, section 12.1.5.1 and section 14.1.2:

- Vehicle Height; Vehicle Length; Gross Vehicle Weight Rating (GVWR); Vehicle Occupancy Maximum

"DO NOT WEAR HELMET WHILE SEATED" - WARNING PLATE

HELMET HOLDER behind each cab seat

DEF TANK RELOCATION W/FILLER PORT

BATTERY CONDITIONER - 45-amp

SHOREPOWER INLET, 20 AMP W/COVER & FEMALE PLUG

ENGINE COMP'T LIGHT W/SWITCH - 5" (2)

STEP LIGHTS - LED FRONT CAB DOOR (PR) - Automatically activated when left and right front cab doors are opened and respective side scene lights are activated

MUD FLAPS, FRT (PR) Balck Rubber

TIRE PRESSURE MONITORING - ACCU-PRESSURE CAP - 6-wheel

BODY CONSTRUCTION - ALL-ALUMNUM

- Roll-up doors (9)
- Body mounted on flex-springs
- 100% aluminum construction - 10 year structural warranty
- All compartments rated at a minimum of 2300 lbs load capacity each
- 1/8" smooth aluminum reinforced floors in tall compartments, with rearward drop and one-way compartment drain bladder to prevent water build-up in compartments
- 3/16" smooth aluminum reinforced wheelhouse compartment floor
- All compartments with roll-up doors, painted to match body & cab with integral door tracks - compartment interior width equal to door pass-thru
- Bright aluminum tread plate roof welded around perimeter
- .190 (3/16") smooth aluminum front and rear covers
- Radius corner and roof rail extrusions - no blunt or formed edges
- Regular roof tread plate - Not aggressive

WHEELHOUSING SKIRT PANEL - Bright Aluminum Treadplate

FRONT BODY PANEL – Painted to match body  
FENDERETTES, STAINLESS STEEL (PR)

FUEL FILLER W/HINGED ACCESS DOOR

STONE GUARDS, FRT & REAR - D/P CORNERS (4)

BUMPER, REAR STEP BRIGHT TREAD PLATE

SIGN - "DANGER - DO NOT RIDE ON REAR STEP"

WHEEL CHOCK - ZICO AC-2 (2)

WHEEL CHOCK BRACKET - (2) aft of streetside rear wheels

LICENSE FRAME W/LIGHT-surface mount centered on rear kick panel

MUD FLAPS, REAR (PR) BLACK RUBBER

RECESSED ADJUSTABLE SHELF TRACK IN SIDE WALLS

PAINT BODY - LIGHT RESCUE - ONE COLOR - Clear urethane top coat - mirror finish (no "orange peel")

TOUCH-UP PAINT, ONE QUART

COMPARTMENT COATING - ZOLATONE

UNDERCOATING CAB, FRAME & BODY

STRIPE, REFLECTIVE 4" - LEFT and RIGHT SIDES

CHEVRON STRIPE - REAR BODY - 6" alternating stripes @ 45-degree angles

ELECTRICAL SYSTEM - V-MUX MULTIPLEX W/SELF-DIAGNOSTICS

- Function switches next to LCD screen with switch functions displayed on LCD for each switch
- Sunlight visible LCD screen with:
  - Diagnostics screen
  - Automatic fault code display
  - Fluid level screen
  - Warranty notification screen
- Multiplex wiring and power control modules
- Load Manager
- Engine automatic high idle

TEMPERATURE SENSOR & READ-OUT - EXTERNAL

MESSAGE DISPLAY - DIGITAL and GRAPHICAL DISPLAY ON LCD CONTROL PANEL - Following messages displayed on VISTA screen when transmission mode is not in the neutral position:

- Street side cab doors are not secured
- Street side body doors are not secured
- Curb side cab doors are not secured
- Curb side body doors are not secured
- Rear door is not secure
- Light tower not stowed (if applicable)

CAB CONSOLE – Mounted between seats

- Black power-coated finish; Pocket storage at back of console with hinged lid - 10" x 12" opening; Mike Clip; Flexshaft map light; (2) 12VDC power point receptacles

CLEARANCE LIGHTS, LED & REFLECTORS

TAIL LIGHT ASSY - LED Red Stop/Amber Turn/White

Backup

SCENE LIGHT - UPPER SIDE BODY - WHELEN 60 LED OPTI-SCENE (2-each side)

SCENE LIGHT - UPPER REAR BODY - WHELEN 60 LED OPTI-SCENE (one left; one right)

COMPARTMENT LIGHTS - LED STRIP - Recessed into each compartment aft side wall

COMP'T OPEN WARNING & AUTO ACTIVATION

- In the event a door is not properly closed and/or secured, a scrolling text message will be displayed on the bottom of the VISTA display screen as follows:
  - Cab Doors Ajar
  - Roadside Body Door Ajar
  - Curbside Body Door Ajar
  - Rear Body Door Ajar
  - Roof Compartment Lids Ajar (if applicable)

COMP'T OPEN WARNING LIGHT

GROUND LIGHTS - LED – under-body mounted (5)

LIGHT BAR - WHELEN LFL LIBERTY SLN2QLED - 54" on cab roof

LOWER ZONE A - WHELEN 50R03ZRR TIR6 SUPER-LED - (2) on grille

HEADLIGHT WIG-WAG PATTERN

LOWER ZONE B/D CAB INTERSECTORS - WHELEN

50R03ZRR SUPER-LED - roadside and curbside

LOWER ZONE B/D BODY - WHELEN 50R03ZRR SUPER-LED

(2) - over rear wheels

LOWER ZONE C – REAR BODY - WHELEN 60R02FRR SUPER-LED (2)

UPPER ZONE B/D – BODY - WHELEN 60R02FRR SUPER-LED – (2) left and (2) right

UPPER ZONE C – BODY - WHELEN 60R02FRR SUPER-LED (2)

SIREN – ELECTRONIC - WHELEN - 295SLSA1 with

Horn/Siren Switch

SPEAKER, SIREN - THROUGH-THE-BUMPER (1)

12VDC POWER STRIP - (6) Terminals – in cab console for two-way radio power

BACK-UP ALARM

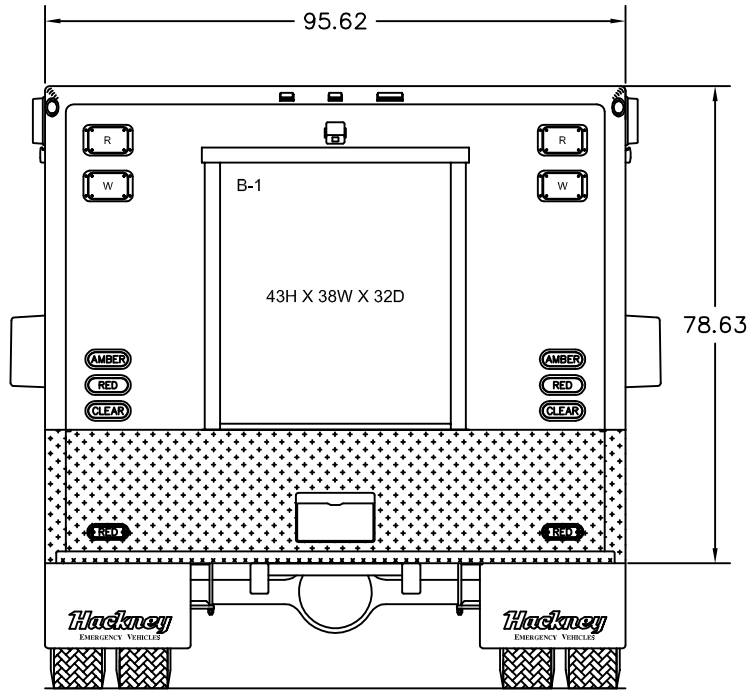
REARVIEW COLOR CAMERA WITH NIGHTVISION

- Rearview automatically displayed on VISTA display when in reverse mode
- Manual operation for secondary activation

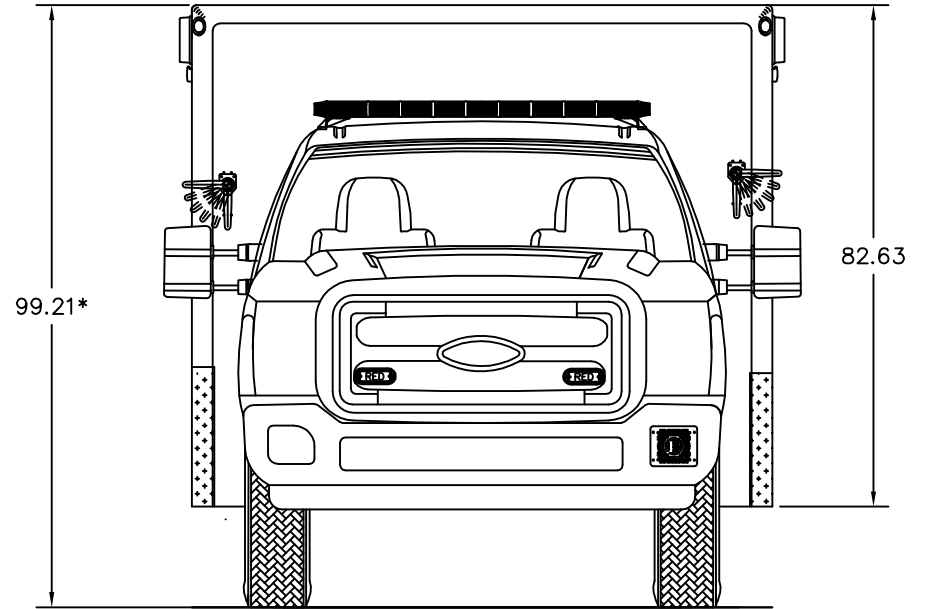
ANTENNA COAXIAL W/CONNECTOR - 17' with PL259 connector routed from cab roof to console



\*\*\*ORIGINAL\*\*\*



REAR VIEW



FRONTVIEW

THIS PRINT AND ALL RIGHTS TO THE DESIGN AND DETAIL THEREON ARE THE PROPERTY OF VT HACKNEY AND IS LOANED TO THE RECIPIENT SUBJECT TO RETURN UPON DEMAND. ITS CONTENTS ARE CONFIDENTIAL AND MUST NOT BE COPIED OR SUBMITTED TO OUTSIDE PARTIES FOR USE OR EXAMINATION. COPYRIGHT 2010 VT HACKNEY A COMPANY OF VT SYSTEMS

© 2010 VT HACKNEY INC

NOTE: ESTIMATED DIMENSIONS.  
MEASUREMENTS DEPEND ON CHASSIS,  
TIRES, SPRINGS, AND LOADING.

**VT Hackney**  
A company of VT Systems

WASHINGTON, NC 27889-0880

**Hackney**

**VisionComms**

**Kelton**

DRAWN BY: EES  
DATE: 8/9/2012

CUSTOM DESIGN FOR:  
NJPA  
CONTRACT # 090512

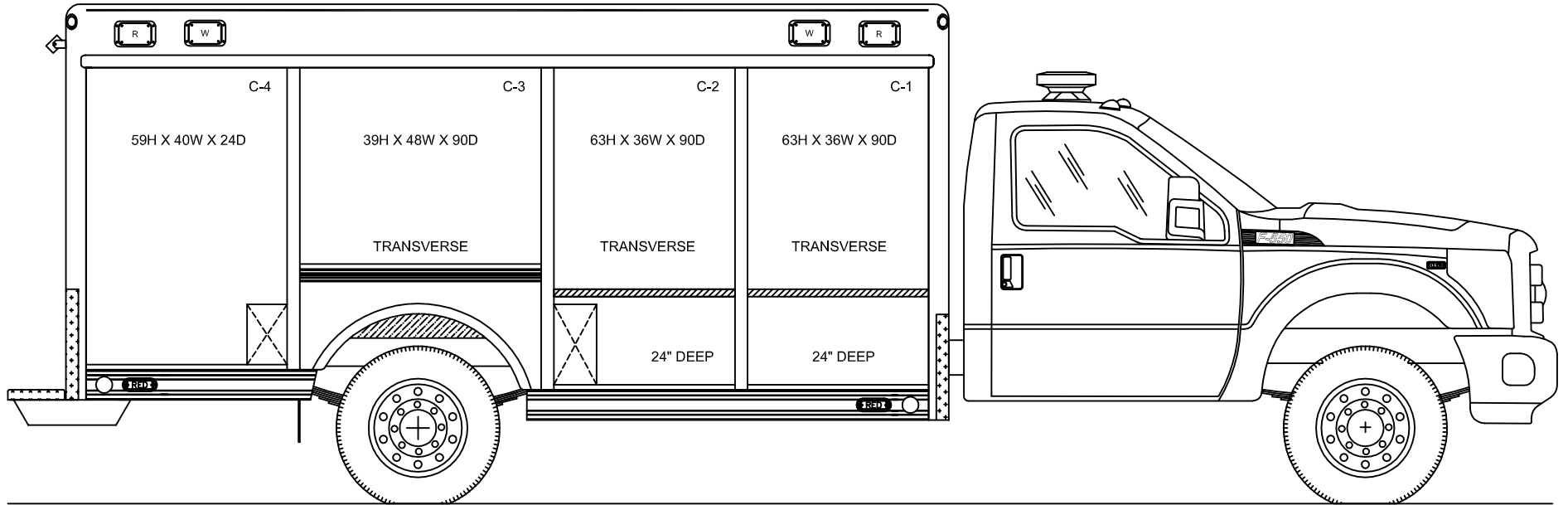
SHEET: 1 OF 1

MODEL: 0000

SCALE: 20

DRAWING NO.: LR-0964F-2013  
REV: A

\*\*\*ORIGINAL\*\*\*



CURBSIDE EXTERIOR

THIS PRINT AND ALL RIGHTS TO THE DESIGN AND DETAIL THEREON ARE THE PROPERTY OF VT HACKNEY AND IS LOANED TO THE RECIPIENT SUBJECT TO RETURN UPON DEMAND. ITS CONTENTS ARE CONFIDENTIAL AND MUST NOT BE COPIED OR SUBMITTED TO OUTSIDE PARTIES FOR USE OR EXAMINATION. COPYRIGHT 2010 VT HACKNEY A COMPANY OF VT SYSTEMS

© 2010 VT HACKNEY INC

NOTE: ESTIMATED DIMENSIONS. MEASUREMENTS DEPEND ON CHASSIS, TIRES, SPRINGS, AND LOADING.



WASHINGTON, NC 27889-0880



VisionComms



DRAWN BY: EES DATE: 8/9/2012

CUSTOM DESIGN FOR: NJPA CONTRACT # 090512

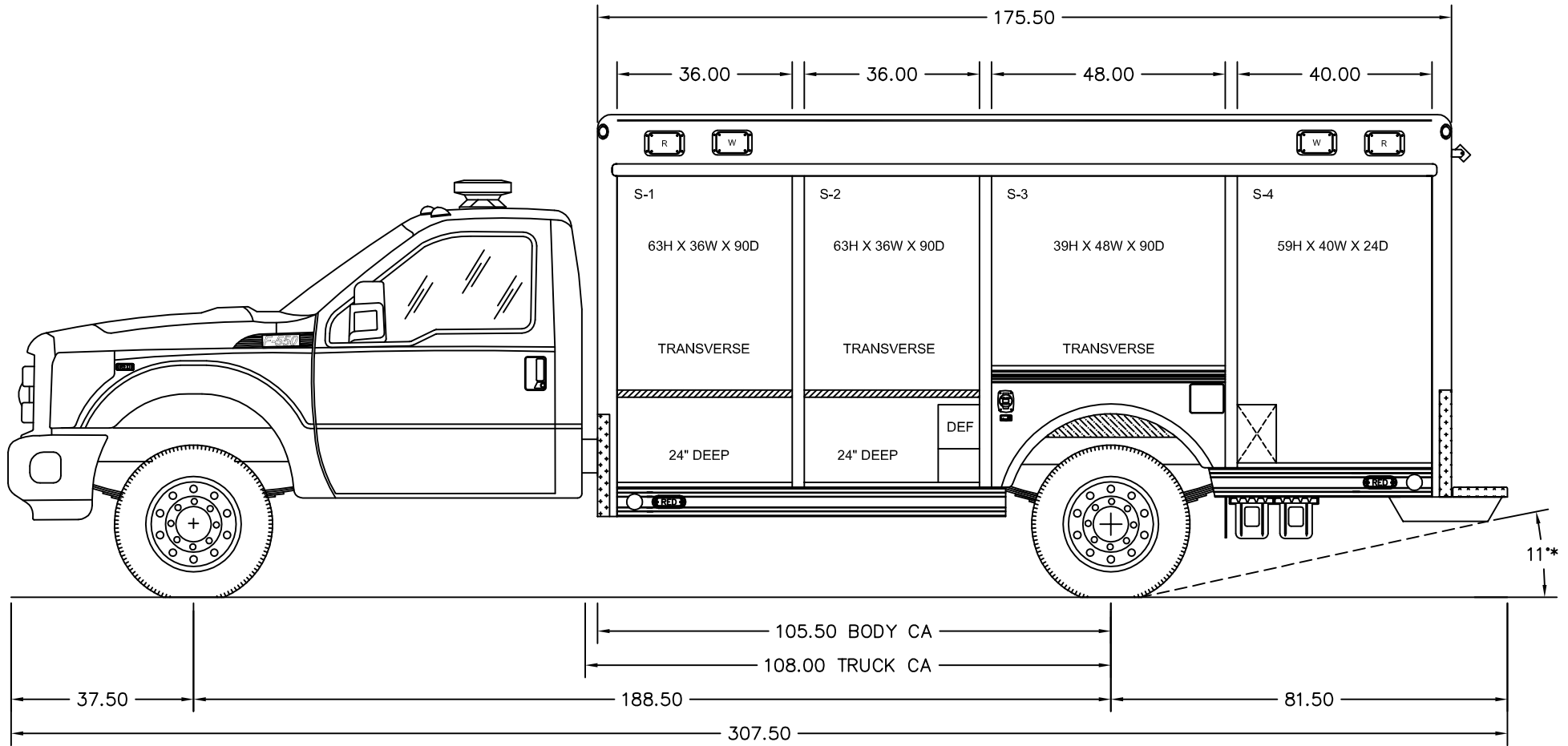
SHEET: 1 OF 1

MODEL: 0000

SCALE: 20

DRAWING NO: LR-0964F-2013 REV: A

\*\*\*ORIGINAL\*\*\*



STREETSIDE EXTERIOR

THIS PRINT AND ALL RIGHTS TO THE DESIGN AND DETAIL THEREON ARE THE PROPERTY OF VT HACKNEY AND IS LOANED TO THE RECIPIENT SUBJECT TO RETURN UPON DEMAND. ITS CONTENTS ARE CONFIDENTIAL AND MUST NOT BE COPIED OR SUBMITTED TO OUTSIDE PARTIES FOR USE OR EXAMINATION. COPYRIGHT 2010 VT HACKNEY A COMPANY OF VT SYSTEMS

© 2010 VT HACKNEY INC  
 NOTE: ESTIMATED DIMENSIONS. MEASUREMENTS DEPEND ON CHASSIS, TIRES, SPRINGS, AND LOADING.

<p><b>VT Hackney</b> A company of VT Systems</p>			
WASHINGTON, NC 27889-0880			
DRAWN BY EES	DATE 8/9/2012	CUSTOM DESIGN FOR: NJPA	
SHEET 1 OF 1		CONTRACT # 090512	
MODEL: 0000	SCALE: 20	DRAWING NO: LR-0964F-2013	REV: A