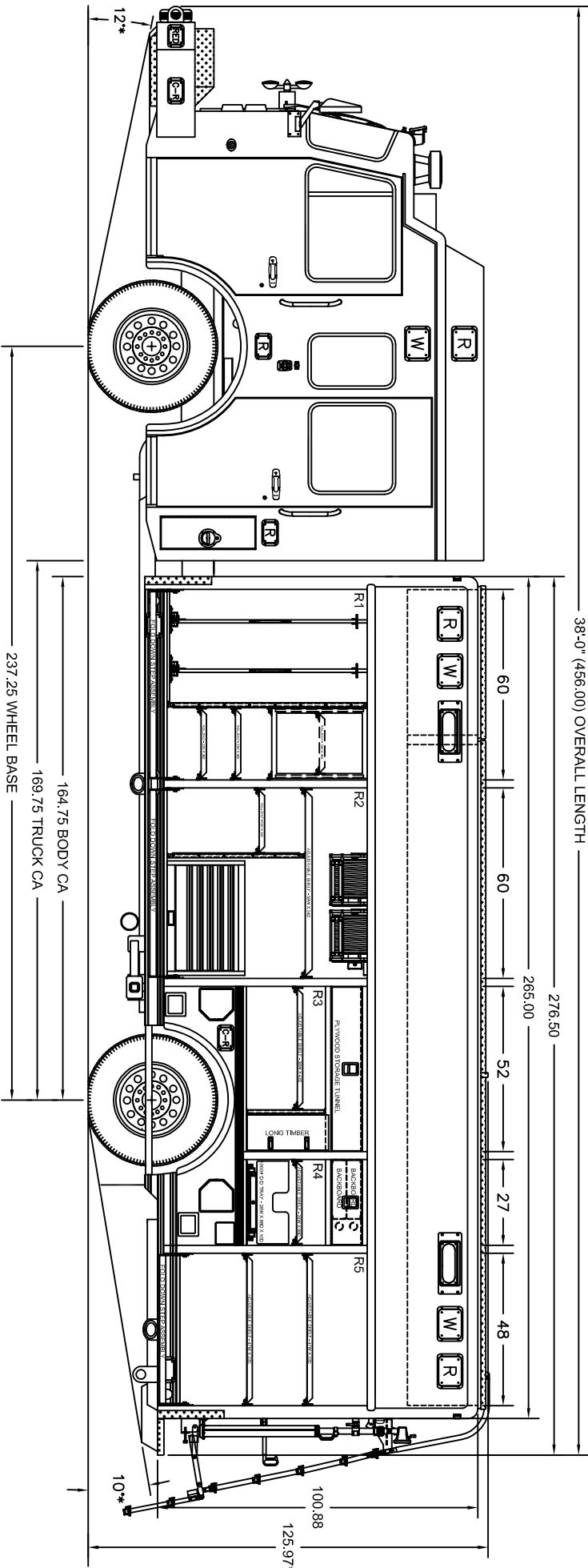


REFER TO DRAWING D-09C-130C FOR CURBSIDE (RIGHT) VIEW.
 REFER TO DRAWING D-09C-131A FOR FRONT AND REAR VIEWS.
 REFER TO DRAWING D-09C-132A FOR TOP PLAN VIEW.

NOTE: *ESTIMATED DIMENSIONS.
 MEASUREMENTS DEPEND ON CHASSIS,
 TIRES, SPRINGS, AND LOADING.



COMPARTMENT DIMENSIONS:

- R1 - 60" WIDE X 63" HIGH X 40" DEEP
- R2 - 60" WIDE X 63" HIGH X 40" DEEP
- R3 - 52" WIDE X 38" HIGH X 90" DEEP
- R4 - 27" WIDE X 38" HIGH X 90" DEEP
- R5 - 48" WIDE X 59" HIGH X 23" DEEP

COMPARTMENT OPENING DIMENSIONS:

- R1 - 60" WIDE X 64" HIGH
- R2 - 60" WIDE X 64" HIGH
- R3 - 52" WIDE X 39" HIGH
- R4 - 27" WIDE X 39" HIGH
- R5 - 48" WIDE X 60" HIGH

ROADSIDE (LEFT) COMPARTMENTS
 ROADSIDE (LEFT) COMPARTMENTS

CUSTOM DESIGNED FOR:

**#09F09317
 WINTERVILLE
 FIRE-RESCUE-EMS**

*** ORIGINAL ***

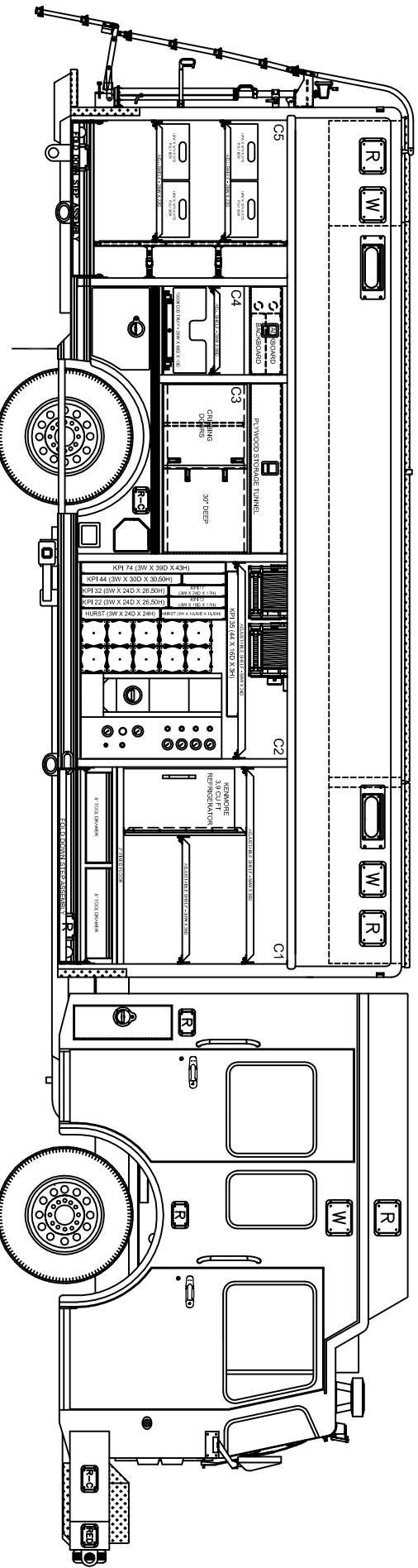
THIS PRINT AND ALL RIGHTS TO THE DESIGN AND DETAIL THEREON ARE THE PROPERTY OF HACKNEY, WASHINGTON, N.C. AND IS LOANED TO THE RECIPIENT SUBJECT TO RETURN UPON DEMAND. ITS CONTENTS ARE CONFIDENTIAL AND MUST NOT BE COPIED OR SUBMITTED TO OUTSIDE PARTIES FOR USE OR EXAMINATION.

© 2009 HACKNEY
 A Division of VT SVC

UNLESS OTHERWISE SPECIFIED		DIMENSIONS ARE IN INCHES	
TOLERANCES ARE:		FRACTIONS OR DECIMALS ±	
FRACTIONS ±		FRACTIONS ±	
AND		DATE	
APPROVED BY		DATE	
SUPERSEDED BY		DATE	
SCALE		SCALE	
1=24		1=24	
MODEL: DFC1164R		MODEL: DFC1164R	
WINTERVILLE, NC		WINTERVILLE, NC	
EMERGENCY VEHICLES DIVISION WASHINGTON, NC 27888-0800		EMERGENCY VEHICLES DIVISION WASHINGTON, NC 27888-0800	

REFER TO DRAWING D-09C-129C FOR ROADSIDE (LEFT) VIEW.
 REFER TO DRAWING D-09C-131B FOR FRONT AND REAR VIEWS.
 REFER TO DRAWING D-09C-132A FOR TOP PLAN VIEW.

NOTE: *ESTIMATED DIMENSIONS.
 MEASUREMENTS DEPEND ON CHASSIS,
 TIRES, SPRINGS, AND LOADING.



*** ORIGINAL ***

CURBSIDE (RIGHT)

CURBSIDE (RIGHT) COMPARTMENTS

COMPARTMENT DIMENSIONS:

- C1 - 60" WIDE X 63" HIGH X 40" DEEP
- C2 - 60" WIDE X 63" HIGH X 40" DEEP
- C3 - 52" WIDE X 38" HIGH X 90" DEEP
- C4 - 27" WIDE X 38" HIGH X 90" DEEP
- C5 - 48" WIDE X 59" HIGH X 23" DEEP


COMPARTMENT OPENING DIMENSIONS:

- C1 - 60" WIDE X 64" HIGH
- C2 - 60" WIDE X 64" HIGH
- C3 - 52" WIDE X 39" HIGH
- C4 - 27" WIDE X 39" HIGH
- C5 - 48" WIDE X 80" HIGH

THIS PRINT AND ALL RIGHTS TO THE DESIGN AND DETAIL THEREON ARE THE PROPERTY OF HACKNEY, WASHINGTON, N.C. AND IS LOANED TO THE RECIPIENT SUBJECT TO RETURN UPON DEMAND. ITS CONTENTS ARE CONFIDENTIAL AND MUST NOT BE COPIED OR SUBMITTED TO OUTSIDE PARTIES FOR USE OR EXAMINATION.

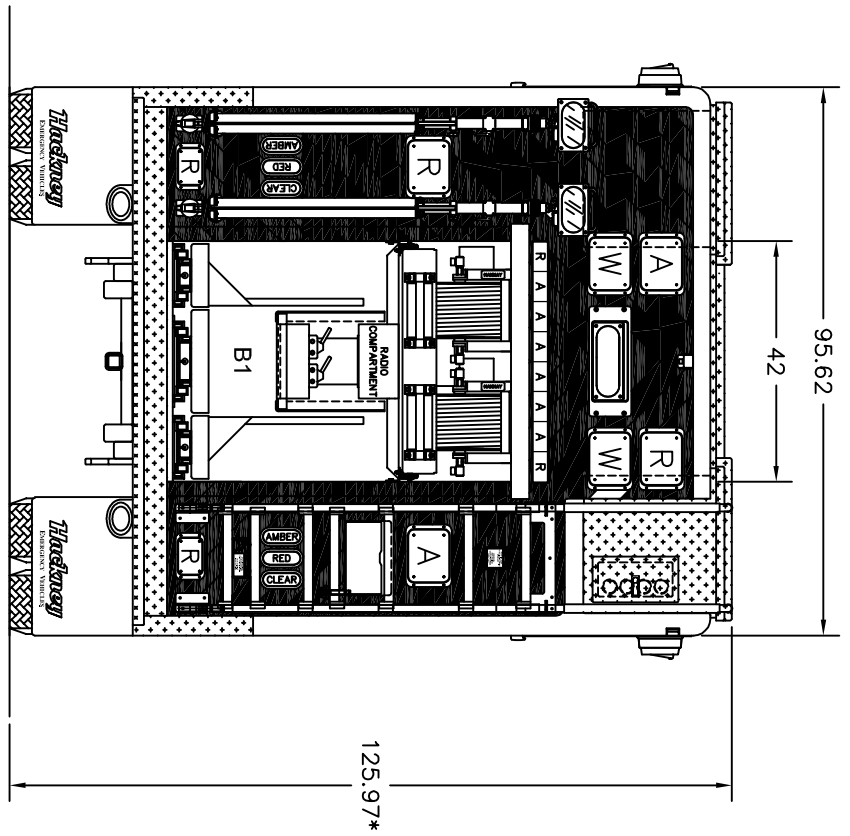
© 2009 HACKNEY
 A Division of VT SVC

CUSTOM DESIGNED FOR:
 #09F09317
 WINTERVILLE
 FIRE-RESCUE-EMS

UNLESS OTHERWISE SPECIFIED DIMENSIONS ARE IN INCHES TOLERANCES ARE: 3 P. DECIMALS ± FRACTIONS ±		 EMERGENCY VEHICLES DIVISION WASHINGTON, NC 27888-0800
APPROVED BY DATE	DATE	
APPROVED BY DATE	DATE	MODEL: DFC1164R SCALE: 1=24 WINTERVILLE, NC
SUPERSEDES	SUPERSEDED BY	D-09C-1301D

REFER TO DRAWING D-09C-129A FOR ROADSIDE (LEFT) VIEW.
 REFER TO DRAWING D-09C-130D FOR CURBSIDE (RIGHT) VIEW.
 REFER TO DRAWING D-09C-132A FOR TOP PLAN VIEW.

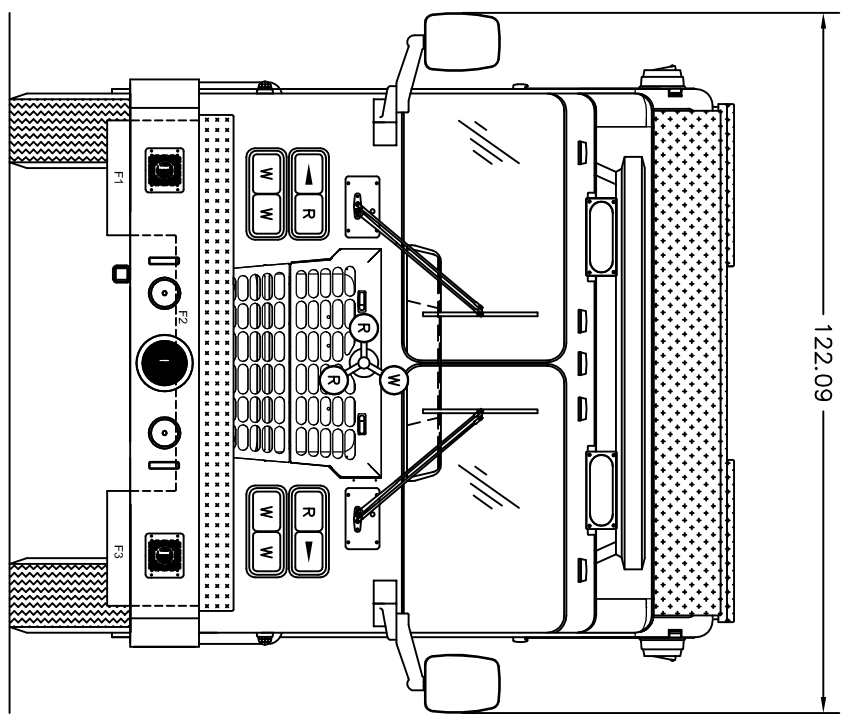
NOTE: *ESTIMATED DIMENSIONS.
 MEASUREMENTS DEPEND ON CHASSIS,
 TIRES, SPRINGS, AND LOADING.



REAR VIEW

REAR COMPARTMENT

COMPARTMENT DIMENSIONS:
 B1 - 42" WIDE X 59" HIGH X 42" DEEP
 COMPARTMENT OPENING DIMENSIONS:
 B1 - 42" WIDE X 60" HIGH



FRONT VIEW

BUMPER EXTENSION COMPARTMENTS

COMPARTMENT DIMENSIONS:
 F1 - ___" WIDE X ___" HIGH X ___" DEEP
 F2 - ___" WIDE X ___" HIGH X ___" DEEP
 F3 - ___" WIDE X ___" HIGH X ___" DEEP

*** ORIGINAL ***

THIS PRINT AND ALL RIGHTS TO THE DESIGN AND DETAIL THEREON ARE THE PROPERTY OF HACKNEY, WASHINGTON, N.C. AND IS LOANED TO THE RECIPIENT SUBJECT TO RETURN UPON DEMAND. ITS CONTENTS ARE CONFIDENTIAL AND MUST NOT BE COPIED OR SUBMITTED TO OUTSIDE PARTIES FOR USE OR EXAMINATION.

© 2009 HACKNEY
 A Division of VT SVC

CUSTOM DESIGNED FOR:
 #09F09317
 WINTERVILLE
 FIRE-RESCUE-EMS

UNLESS OTHERWISE SPECIFIED		EMERGENCY VEHICLES	
DIMENSIONS ARE IN INCHES		DIVISION	
TOLERANCES ON ±		WASHINGTON, NC 27988-0800	
3 PL. DECIMALS ±			
ANGLES ±			
DESIGNED BY	DATE	3-ESV-11	RTX 64/39
DRAWN BY	AND	02-16-10	
APPROVED BY	DATE		
SUPERSEDES	SCALE	MODEL: DFC1164R	WINTERVILLE, NC
	1=24		
			D-09C-131B