



VT Hackney

A company of VT Systems



Model ADS1073R Heavy Rescue with Automatic Deploy Staircase

Hackney

Sourcewell 
Formerly NJPA

Awarded Contract

#022818-VTH

ADS-1073R

Hackney Emergency Vehicles

NJPA - HACKNEY ADS-1073R HEAVY RESCUE

Sales Rep:

Terms:

Drawing #:

Est. Delivery Date: / /

Customer PO #:

Penalty:

Customer #:

QPF #:

Exp. Date: 02/16/2018

Quote No: 10174-0003

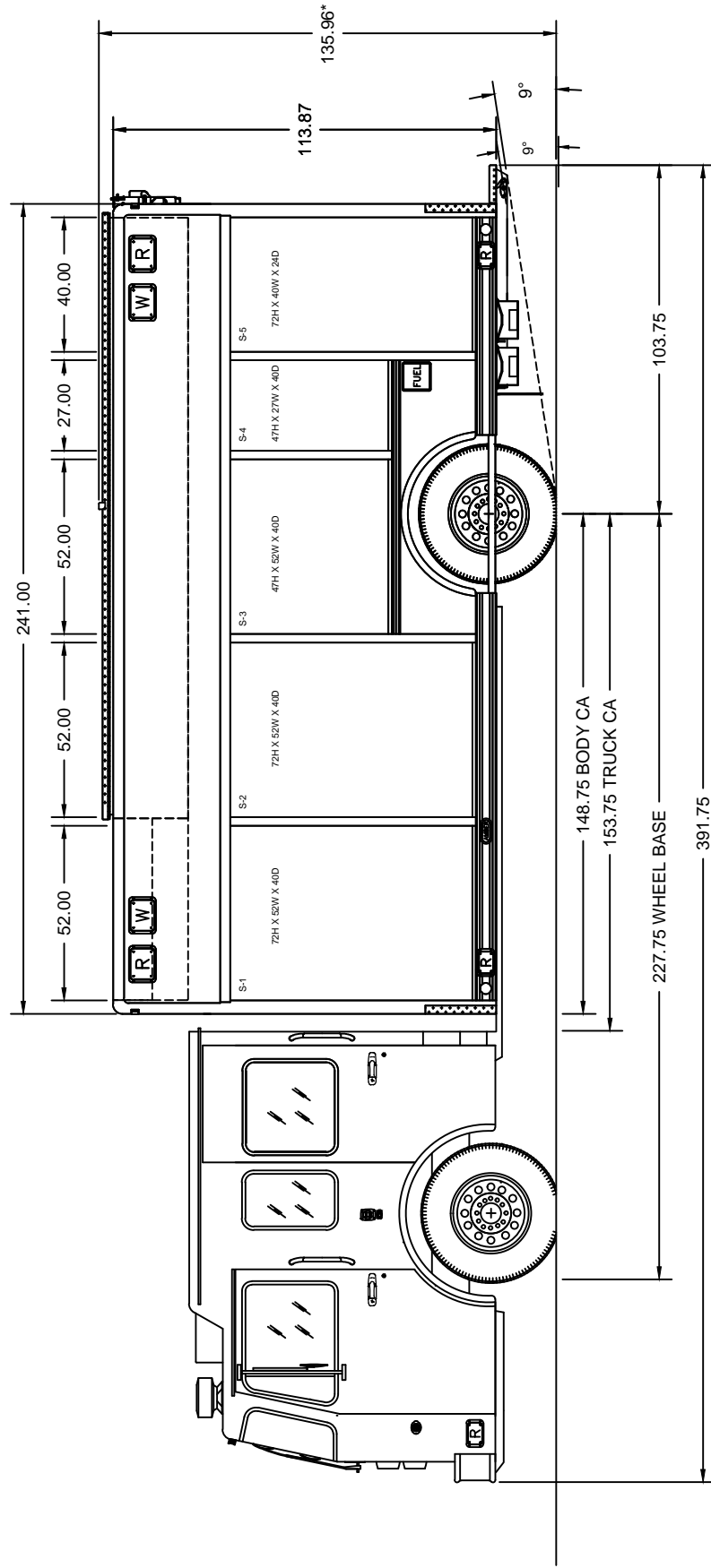
BODY: XDFC500 NJPA ADS HEAVY RESCUE W/AUTO STAIRCASE

08/17/2018

Page 1

PART NO	DESCRIPTION	QTY
	== NJPA ADS HEAVY RESCUE W/AUTO STAIRCASE - ==	1
	== QW RELEASE - Effective 01-02-18 ==	1
	CAB and CHASSIS	1
10-01-0010	SPARTAN CHASSIS - MFD WITH 10" RAISED ROOF	1
10-19-0100	FLUID LEVEL DATA - ELECTRONIC DISPLAY	1
10-19-1025	"MUST BE SEATED AND BELTED" - WARNING PLATE	1
10-19-1045	WARNING PLATE - VEHICLE SPECIFICATION DATA	1
10-19-1075	"DO NOT WEAR HELMET WHILE SEATED" - WARNING PLATE	1
10-99-0020	EXHAUST PIPE LOCATION - FORWARD OF RIGHT WHEELS	1
12-00-1010	MUD FLAPS - RE-INSTALL CHASSIS OEM	1
16-10-1510	TOW EYE PLATES - REAR - BLACK (PR)	1
	BODY and FRAME OPTIONS	1
20-00-1000	FRAME MODIFICATION - DROP/PINCH	1
20-02-0000	BODY CONSTRUCTION - HEAVY RESCUE	1
20-11-4830	BODY - DFC1164R24ADS - 11 COMP'T - ADS	1
20-49-9000	OVERALL HEIGHT PLATE	1
20-61-0200	ROLLERS, STAINLESS STEEL ROLL-UP DOOR - ILOS - (Ea. Comp't Door)	11
20-71-0020	WHEELHOUSING SKIRT PANEL - PAINTED	1
20-71-0120	FRONT BODY PANEL - PAINTED	1
20-71-0320	FENDERETTES, STAINLESS STEEL (PR)	1
20-72-2050	FUEL FILLER W/HINGED ACCESS DOOR - CPI - CUSTOM CAB	1
20-72-3000	ULTRA-LOW SULFUR DIESEL FUEL ONLY LABEL	1
20-72-3100	DEF FLUID LABEL	1

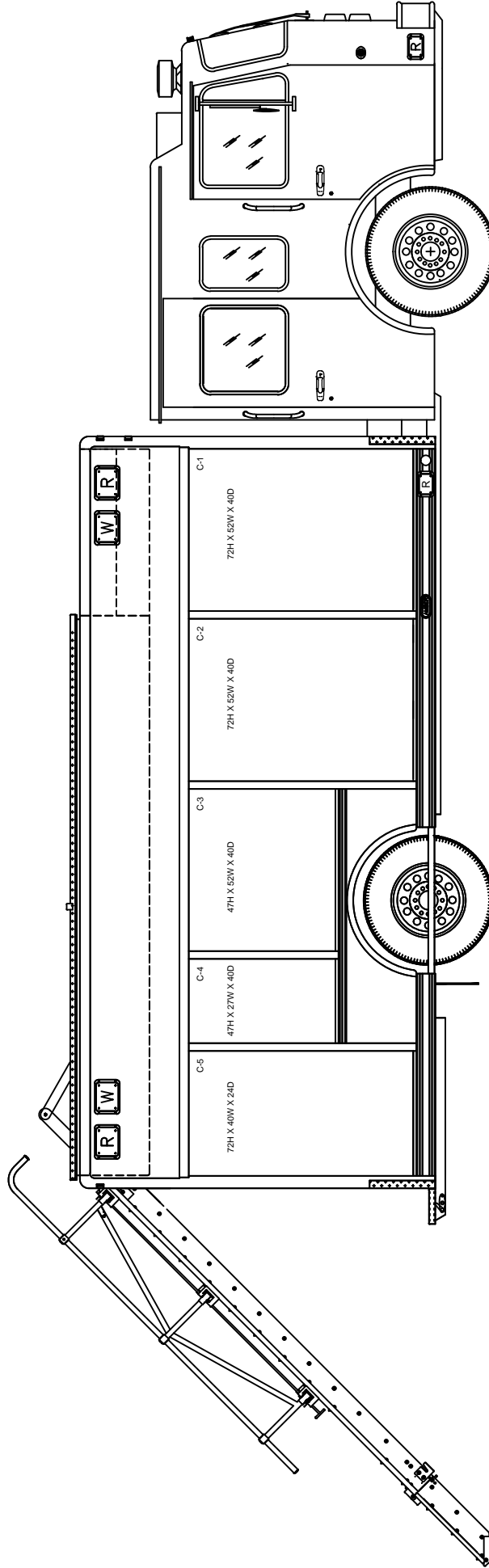
PART NO	DESCRIPTION	QTY
EXTERIOR BODY OPTIONS		1
22-21-0000	STONE GUARDS, FRT & REAR - D/P CORNERS (4)	1
22-25-2000	BUMPER, REAR STEP BRIGHT TREAD PLATE	1
22-25-5500	SIGN - "DANGER - DO NOT RIDE ON REAR STEP"	1
22-33-1000	STEP, REAR WHEEL ALUMINUM STEP (PR)	1
22-40-0090	WHEEL CHOCK - ZICO COLLAPSIBLE TYPE (EA)	2
22-40-0100	HOLDER FOR WHEEL CHOCK - ZICO SQCH-44 (EA)	2
22-50-3010	LICENSE PLATE INSERTS & LIGHT	1
22-51-1000	MUD FLAPS, REAR (PR) BLACK RUBBER	1
INTERIOR BODY OPTIONS		1
23-11-0550	RECESSED ADJUSTABLE SHELF TRACK (EA)	11
EXTERIOR BODY OPTIONS		1
PAINT and GRAPHICS		1
40-00-0012	PAINT BODY - HEAVY RESCUE - ONE COLOR	1
42-12-0000	TOUCH UP PAINT - ONE QUART	1
42-90-0500	COMPARTMENT WALLS/FLOORS COATING - MULTISPEC (ea. comp't)	11
42-99-0000	UNDERCOATING CAB, FRAME & BODY	1
43-20-2000	STRIPE, REFLECTIVE 4" PRICE PER FOOT REQS DWG	80
43-20-8002	CHEVRON STRIPE - REAR BODY - PRINTED - Body only - not on door	1
43-20-8120	REFLECTIVE STRIPING ACROSS FACE OF BUMPER	1
12VDC ELECTRICAL SYSTEM		1
50-00-0510	ELECTRICAL SYSTEM - V-MUX MULTIPLEX - SPARTAN	1
50-00-2100	VISTA MOUNTED IN CONSOLE/DASH	1
50-05-0000	AMP DRAW REPORT - NFPA 1901, Section 9-15	1
50-06-0000	MESSAGE DISPLAY - DO NOT MOVE TRUCK	1
50-06-1110	SAFETY INTERLOCK SYSTEM - MED/HD CHASSIS	1
50-50-0200	TAIL LIGHT ASSY - LED STOP/TURN/BACKUP with CHROME BEZELS	1
50-50-6010	JAKE BRAKE LIGHT ACTIVATION - SPARTAN	1
50-51-9000	AUXILIARY LED TURN SIGNALS - AMBER, CENTER BODY	1
51-10-1810	SCENE LIGHT - SIDE - WHELEN M9 LED OPTI-SCENE (EA)	4
51-10-2850	SCENE LIGHT - REAR - WHELEN M9 LED OPTI-SCENE (EA)	2
51-11-0100	SCENE LIGHT - REAR REVERSE ACTIVATED - V-MUX	1
51-11-0150	SCENE LIGHT - SIDE REVERSE ACTIVATED - V-MUX	1
51-11-0170	SCENE LIGHT - SIDE TURN SIGNAL ACTIVATED - V-MUX	1
51-19-0110	GROUND LIGHTS - TECNIQ LED - UNDERBODY MOUNTED (EA)	5
51-19-0130	GROUND LIGHTS ACTIVATED BY TURN SIGNALS /REVERSE	1
51-50-1825	COMPARTMENT LIGHTS - LED STRIP - 36" RECESSED	4
51-50-1850	COMPARTMENT LIGHTS - LED STRIP - 42" RECESSED	7
51-51-5100	COMPARTMENT LIGHT - ROOF - LED STRIP - 42" RECESSED	4
51-51-6015	ROOF WORK ZONE LIGHTS - SIDE WALL MOUNTED - TECNIQ LED (EA)	3
51-55-1000	COMP'T OPEN WARNING & AUTO ACTIVATION - V-MUX	1
NFPA 1901 WARNING LIGHTS		1
UPPER ZONE A - FRONT CAB WARNING LIGHTS		1



STREETSIDE (LEFT)
 (ADS STAIRCASE SHOWN IN STOWED POSITION)

THIS PRINT AND ALL RIGHTS TO THE DESIGN AND DETAIL THEREON ARE THE PROPERTY OF VT HACKNEY AND IS LOANED TO THE USER FOR THE EXCLUSIVE USE OF THIS PROJECT. IT IS NOT TO BE REPRODUCED OR COPIED IN ANY MANNER WITHOUT THE WRITTEN CONSENT OF VT HACKNEY. ANY VIOLATION WILL BE PROSECUTED.





CURBSIDE (RIGHT)
(ADS STAIRCASE SHOWN IN DEPLOYED POSITION)

THIS PRINT AND ALL RIGHTS TO THE DESIGN AND DETAIL
HEREIN ARE RESERVED BY VT HACKNEY INC. ANY USE
TO THE RECIPIENT SUBJECT TO RETURN ON DEMAND. ITS
CONTENTS ARE CONFIDENTIAL AND MUST NOT BE COPIED,
REPRODUCED, OR TRANSMITTED IN ANY MANNER WITHOUT
THE WRITTEN PERMISSION OF VT HACKNEY INC. COPYRIGHT 2015 VT HACKNEY A COMPANY OF VT SYSTEMS

VT Hackney
A company of VT Systems
WASHINGTON, NC 27889-0880

Hackney
Kubota

DATE: 02/01/18
CUSTOMER: NJPA

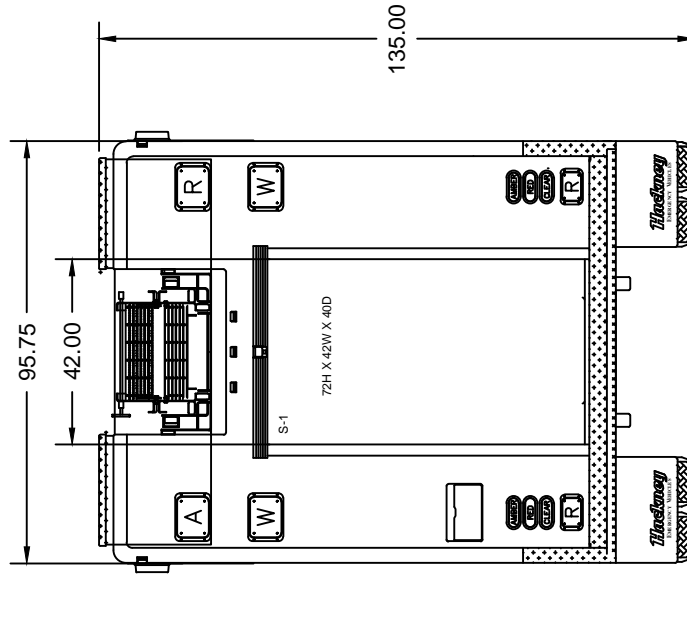
SHEET: 1 OF 4
CONTRACT #: DRAWING NO.

MODEL: ADS-1073R
SCALE: 32

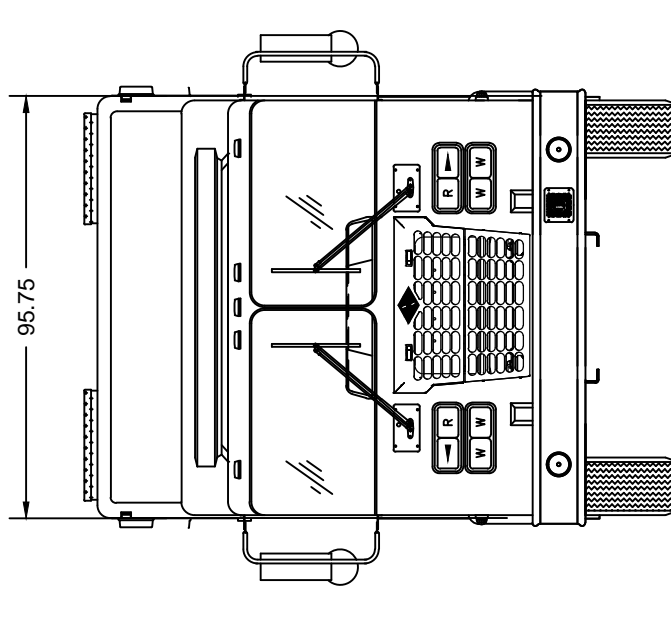
REV: -

© 2015 VT HACKNEY INC

NOTE: ESTIMATED DIMENSIONS
MEASUREMENTS DEPEND ON CHASSIS,
TIRES, SPRINGS, AND LOADING.



REAR VIEW
(SHOWN W/ADS IN STOWED POSITION)



FRONT VIEW

THIS PRINT AND ALL RIGHTS TO THE DESIGN AND DETAIL ARE RESERVED BY VT HACKNEY INC. ANY REPRODUCTION OF THIS CONTENTS ARE CONFIDENTIAL AND MUST NOT BE COPIED OR REPRODUCED WITHOUT THE WRITTEN PERMISSION OF VT HACKNEY INC. COPYRIGHT 2015 VT HACKNEY A COMPANY OF VT SYSTEMS

VT Hackney
A company of VT Systems
WASHINGTON, NC 27889-0880



CUSTOMER: NJPA

CONTRACT #

DATE: 02/01/18

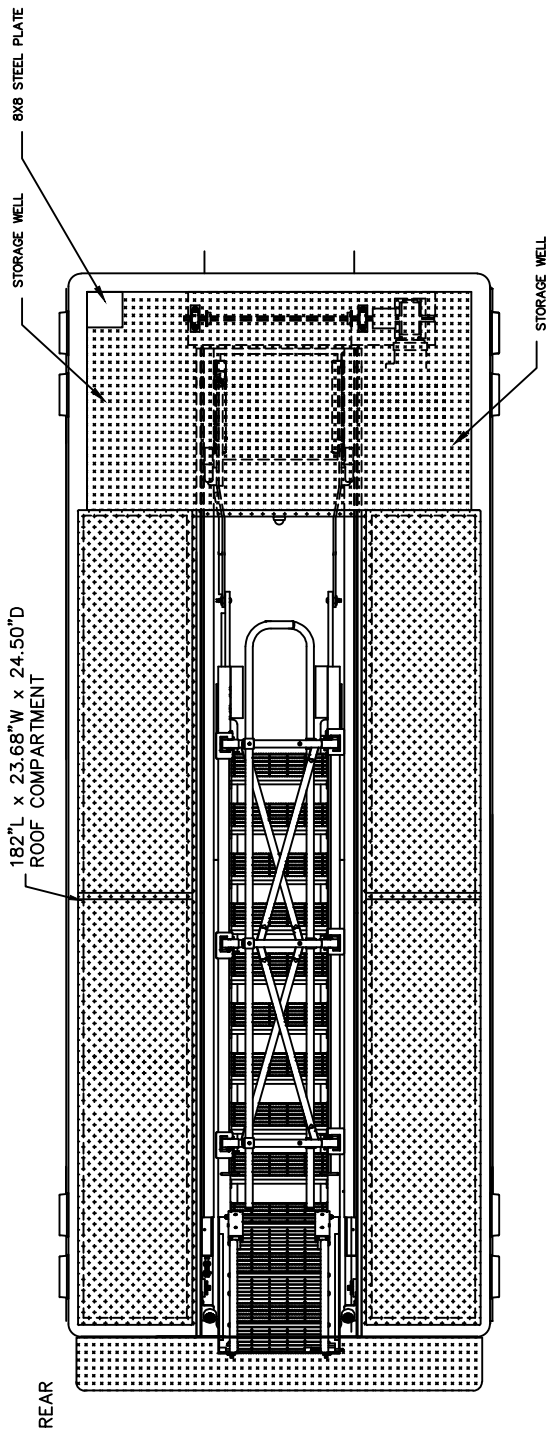
SHEET: 3 of 4

MODEL: ADS-1073R

SCALE: 28

DRAWING NO.

REV: -



(SHOWN WITH ADS STAIRCASE IN STOWED POSITION)

TOP PLAN VIEW

THIS PRINT AND ALL RIGHTS TO THE DESIGN AND DETAIL
HEREIN ARE RESERVED BY VT HACKNEY INC. ANY USE
TO THE REPIRINT SUBJECT TO RETURN ON DEMAND. ITS
CONTENTS ARE CONFIDENTIAL AND MUST NOT BE COPIED
OR REPRODUCED IN ANY MANNER WITHOUT THE WRITTEN
CONSENT OF VT HACKNEY INC. COPYRIGHT 2015 VT HACKNEY A COMPANY OF VT SYSTEMS



WASHINGTON, NC 27889-0880
A company of VT Systems

CUSTOM DESIGN FOR:

DATE: 02/01/18

SHEET: 4 OF 4

MODEL: ADS-1073R

SCALE: 28

REV: -



NJPA

CONTRACT #

DRAWING NO.