



VT Hackney

A company of VT Systems



Model CM-2900 40-ft Command Vehicle

Hackney

Sourcewell 
Formerly NJPA

Awarded Contract

#022818-VTH

CM-2900

Hackney Emergency Vehicles

NJPA - HACKNEY CM2900 COMMAND

Sales Rep:

Terms:

Drawing #:

Est. Delivery Date: / /

Customer PO #:

Penalty:

Customer #:

QPF #:

Exp. Date: 03/11/2018

Quote No: 10044-0001

BODY: XCM2900

NJPA CM2900 COMMAND-COMMS - 29-FT

08/17/2018

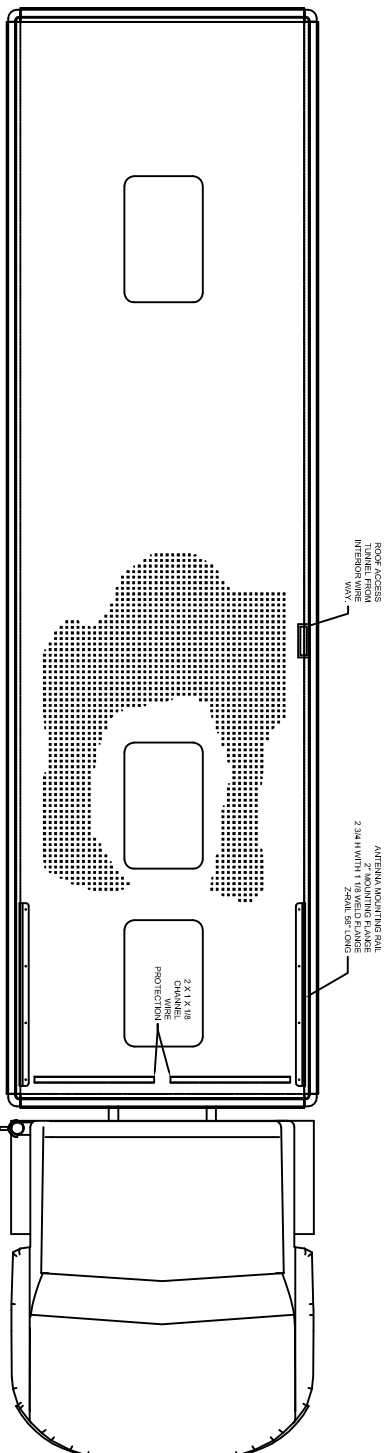
Page 1

PART NO	DESCRIPTION	QTY
== NJPA CM2900 COMMAND-COMMS - 29-FT ==		1
== QW RELEASE - Effective 01-02-18 ==		1
CAB and CHASSIS		1
10-02-0360	FREIGHTLINER M2-106 2-DOOR - ISC330, TANDEM	1
10-19-0000	FLUID LEVEL DATA PLATE - VISIONMUX	1
10-19-1025	"MUST BE SEATED AND BELTED" - WARNING PLATE	1
10-19-1050	"SEATING OCCUPANCY" - WARNING PLATE	1
10-99-1600	EXHAUST, VERTICAL STACK - OEM INSTALLED	1
11-33-0802	GROUND LIGHTS - TECNIQ LED - FRONT CAB DOOR (PR)	1
12-00-1010	MUD FLAPS - RE-INSTALL CHASSIS OEM	1
12-11-1900	ULTRA-LOW SULFUR DIESEL FUEL ONLY LABEL	1
12-11-1950	DEF FLUID LABEL	1
12-57-0022	TIRE PRESSURE MONITORING - REALWHEELS AIRSECURE - 10-WHL	1
BODY and FRAME OPTIONS		1
20-00-3224	MOUNT COMMANDER BODY 24-29 FT.	1
20-05-1000	BODY CONSTRUCTION - COMMANDER SERIES	1
20-20-2900	BODY - COMMANDER CM2900	1
20-49-9000	OVERALL HEIGHT PLATE	1
20-51-0110	ROOF, BRIGHT ALUMINUM TREADPLATE - STD PATTERN	1
20-70-0110	DOOR, SIDE PERSONNEL ENTRANCE - up to 83" H	1
20-70-0150	WINDOW, DOOR - 30"H X 18"W - SLIDING - black painted or clear anodized frame (EA	1
20-70-0200	ENTRANCE STEP - FOLD-DOWN W/HAND RAILS	1
20-70-1010	GENERATOR COMPARTMENT CONSTRUCTION	1
20-70-1620	DOOR, SINGLE HINGED ACCESS - up to 24W x 60H	4

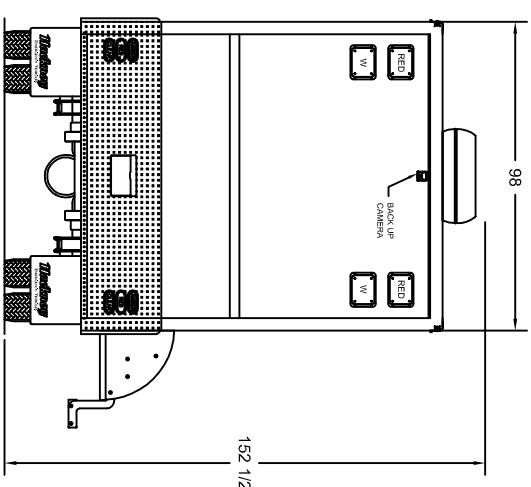
PART NO	DESCRIPTION	QTY
20-71-0120	FRONT BODY PANEL - PAINTED	1
20-71-0310	FENDERETTES, BLACK RUBBER (PR)	1
20-71-1294	RUB RAILS, LOWER BODY - C-CHANNEL - up to 30-ft Body	1
20-71-2600	ROOF ANTENNA MOUNTING RAILS - (2) 58"	1
20-95-0000	LEVELING & STABILIZING SYSTEM - MED/HVY	1
21-01-2901	INTERIOR WALLS, CEILING & INSULATION - CARPETED -29-ft	1
21-03-5000	POCKET DOOR & SEPARATOR WALL	1
21-05-2900	CABINET PACKAGE - CM2900	1
21-08-0555	COMMS CONSOLE - 98"	1
21-08-0565	COMMS CONSOLE - 138" W	1
21-08-0570	COMMS CONSOLE - AUXILIARY - 36" W	1
21-08-0740	CABINET - VERTICAL POWER DISTRIBUTION	1
21-08-0830	CONFERENCE TABLE - 112"L x 30"W - SOLID SURFACE	1
21-20-0100	CHAIR, SWIVEL LOW BACK TASK (EA)	11
21-20-0522	BACKREAST CUSHION - 89" - 3-PC for Window	1
21-30-1029	FLOORING - LONSEAL SAFETY - 29-ft	1
EXTERIOR BODY OPTIONS		1
22-21-0000	STONE GUARDS, FRT & REAR - D/P CORNERS (4)	1
22-21-0100	REAR DIAMOND PLATE KICK PANEL - ILOS	1
22-25-2000	BUMPER, REAR STEP BRIGHT TREAD PLATE	1
22-25-5500	SIGN - "DANGER - DO NOT RIDE ON REAR STEP"	1
22-50-3010	LICENSE PLATE INSERTS & LIGHT	1
22-51-1000	MUD FLAPS, REAR (PR) BLACK RUBBER	1
INTERIOR BODY OPTIONS		1
EXTERIOR BODY OPTIONS		1
PAINT and GRAPHICS		1
40-00-0121	PAINT COMMAND BODY - ONE COLOR - MIRROR 24-29	1
41-00-0000	DO NOT RE-PAINT CAB	1
42-12-0000	TOUCH UP PAINT - ONE QUART	1
42-90-0500	COMPARTMENT WALLS/FLOORS COATING - MULTISPEC (ea. comp't)	6
42-99-0000	UNDERCOATING CAB, FRAME & BODY	1
43-20-2000	STRIPE, REFLECTIVE 4" PRICE PER FOOT REQS DWG	52
43-20-8001	CHEVRON STRIPE - REAR BODY - PRINTED - Body and Door	1
43-20-8120	REFLECTIVE STRIPING ACROSS FACE OF BUMPER	1
12VDC ELECTRICAL SYSTEM		1
50-00-0410	ELECTRICAL SYSTEM - V-MUX MULTIPLEX	1
50-00-2110	PANAVISE SWIVEL MOUNTING BRACKET	1
50-03-0001	TEMPERATURE SENSOR & READ-OUT - EXTERNAL	1
50-05-0000	AMP DRAW REPORT - NFPA 1901, Section 9-15	1
50-06-1110	SAFETY INTERLOCK SYSTEM - MED/HD CHASSIS	1
50-10-0100	CAB CONSOLE - FLOOR MOUNT - INTERNATIONAL/FREIGHTLINER - VISIONMUX/V-MUX	1
50-40-0110	CLEARANCE LIGHTS, LED & REFLECTORS W/CENTER REAR THIRD BRAKE	1
50-50-0200	TAIL LIGHT ASSY - LED STOP/TURN/BACKUP with CHROME BEZELS	1
50-50-6000	JAKE BRAKE LIGHT ACTIVATION	1
51-10-1810	SCENE LIGHT - SIDE - WHELEN M9 LED OPTI-SCENE (EA)	4
51-10-2850	SCENE LIGHT - REAR - WHELEN M9 LED OPTI-SCENE (EA)	2

PART NO	DESCRIPTION	QTY
51-11-0100	SCENE LIGHT - REAR REVERSE ACTIVATED - V-MUX	1
51-11-0150	SCENE LIGHT - SIDE REVERSE ACTIVATED - V-MUX	1
51-19-0110	GROUND LIGHTS - TECNIQ LED - UNDERBODY MOUNTED (EA)	7
51-19-0130	GROUND LIGHTS ACTIVATED BY TURN SIGNALS /REVERSE	1
51-50-2500	COMPARTMENT LIGHT - 4" LED	7
51-51-7000	STEPWELL LIGHT - LED LINEAR	1
51-55-1000	COMP'T OPEN WARNING & AUTO ACTIVATION - V-MUX	1
51-55-2000	COMP'T OPEN WARNING BUZZER	1
51-56-0100	COMP'T OPEN WARNING LIGHT - LED	1
51-65-1210	DOMELIGHT - WHELEN SUPER-LED HI/LOW INTENSITY - 8" RED/CLEAR	13
NFPA 1901 WARNING LIGHTS		1
UPPER ZONE A - FRONT CAB WARNING LIGHTS		1
54-01-1556	WHELEN JUSTICE JE2NFPA - 56" LIGHT BAR - V-END Configuration	1
54-01-9902	BRACKET, LIGHTBAR CAB ROOF MOUNTING -Whelen	1
LOWER ZONE A - FRONT CAB WARNING LIGHTS		1
54-10-07RC	WHELEN C7LRC RED SURFACEMAX - CLEAR LENS W/C7FC CHROMED BEZEL (ea)	2
AUX ZONE A - FRONT CAB WARNING LIGHTS		1
54-15-5000	HEADLIGHT WIG-WAG PATTERN - V-MUX	1
LOWER ZONE B/D - CAB INTERSECTION WARNING LIGHTS		1
54-20-05RC	WHELEN 50R02ZCR RED SUPER-LED - CLEAR LENS W/5TSMAC CHROME BEZEL (ea)	2
LOWER ZONE B/D - SIDE BODY WARNING LIGHTS		1
LOWER ZONE C - REAR BODY WARNING LIGHTS		1
UPPER ZONE B/D - SIDE BODY WARNING LIGHTS		1
54-30-M9RC	WHELEN M9RC RED SUPER-LED - CLEAR W/M9FC CHROME BEZEL (ea)	4
UPPER ZONE C - REAR BODY WARNING LIGHTS		1
54-31-09RC	WHELEN C9LRC RED SURFACEMAX - CLEAR LENS W/C9FC CHROMED BEZEL (ea)	2
AUDIBLE WARNING DEVICES		1
55-22-1000	SIREN - WHELEN ELECTRONIC - 295SLSA1	1
55-41-4020	SPEAKER, SIREN - FREIGHTLINER M2 - THROUGH-THE-BUMPER (EA)	1
58-50-1000	12VDC POWER STRIP - (6) TERMINALS - CAB	1
58-50-1100	12VDC POWER STRIP - (6) TERMINALS - BOD"Y	1
58-80-1000	BACK-UP ALARM - FEDERAL 210333	1
58-82-0010	REARVIEW COLOR CAMERA WITH NIGHTVISION - V-Mux	1
58-90-0000	CARBON MONOXIDE MONITOR	1
59-59-0000	ANTENNA COAXIAL W/CONNECTOR - MOTOROLA 17'	1

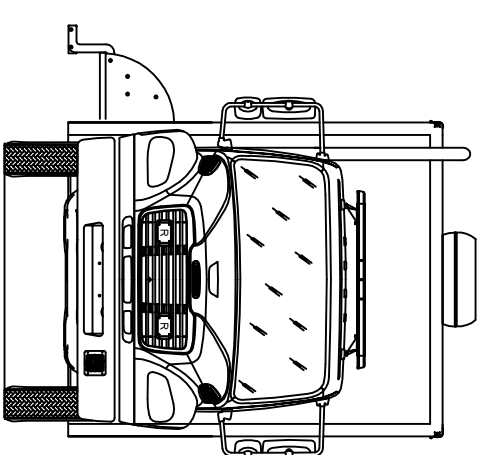
PART NO	DESCRIPTION	QTY
120/240VAC ELECTRICAL SYSTEM		1
61-00-1222	GENERATOR- POWER TECH 20.0KW DIESEL W/REMOTE RADIATOR	1
61-00-1285	AIR BAG VIBRATION ISOLATORS (4)	1
61-00-1291	THERMAL MUFFLER BLANKET	1
61-08-2000	UL DIELECTRIC VOLTAGE WITHSTAND TEST - U.L.	1
61-60-1503	POWER DISTRIBUTION PANEL - 3-POLE w/TRANSFER SWITCH	1
62-20-3000	SHOREPOWER INLET, 30 AMP W/COVER & FEMALE PL	1
62-20-4300	SHOREPOWER INLET, 100A PIN AND SLEEVE	1
62-30-7100	DROP CORD - 100AMP w/CONNECTORS - 50-ft	1
62-80-0300	BATTERY SYSTEM - SEPARATE BODY	1
63-00-1000	OUTLET 120V DUPLEX EXTERIOR WEATHERPROOF 20A	2
63-10-1000	OUTLET 120V DUPLEX INTERIOR W/GFI, 20A (EA)	6
63-10-3500	OUTLET STRIP - PLUG MOLDING - up to 6' Section	2
68-00-1010	AIR CONDITIONER, 120V ROOF MOUNTED RV TYPE	3
68-10-1000	HEATER, 1500W 120V - FLUSH WALL MOUNT (EA)	2
69-10-0050	REFRIGERATOR/FREEZER - NORCOLD DE-0751BB - 2.7 CU.FT.	1
69-10-5000	MICROWAVE OVEN- 1.2 CUFT/1100W/120VAC	1
69-10-5150	COFFEE MAKER - UNDER COUNTER	1
89-99-9600	DOT SAFETY KIT	1
ADMINISTRATIVE - FIXED		1
98-01-1000	MANUAL, HACKNEY OWNERS W/SCHEMATICS	1
98-10-1500	PRE-DELIVERY CLEAN-UP - CAB & BODY	1
98-11-1000	FUEL TANK FULL AT FACTORY DELIVERY (up to 50-gallon tank)	1
99-99-9998	TEST DRIVE & INSURANCE REQUIREMENTS	1
99-99-9999	SHOP ORDER APPROVAL	1



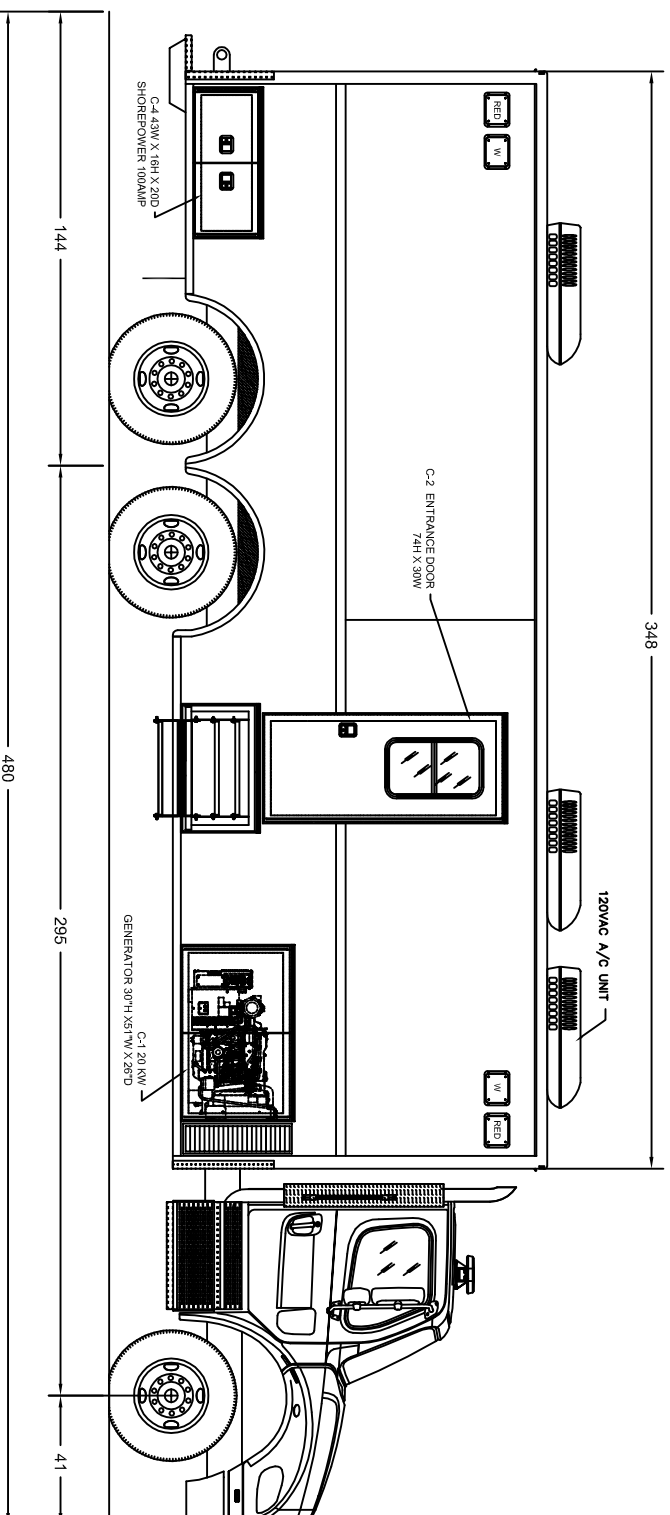
ROOF LAYOUT



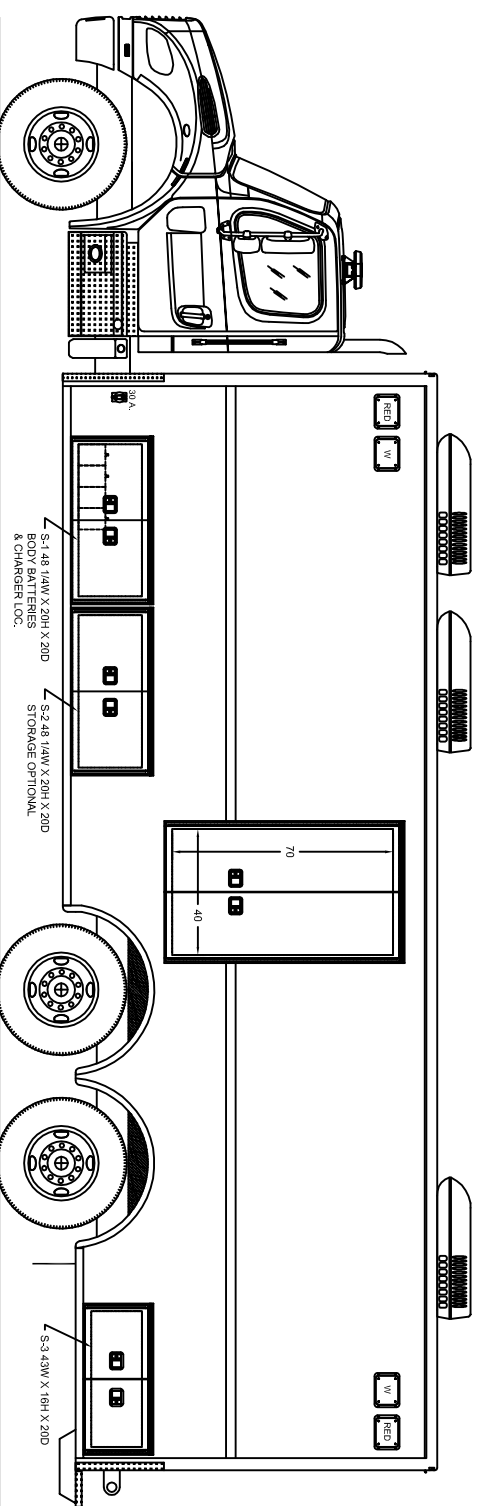
REAR VIEW



FRONT VIEW



ROADSIDE (LEFT)



CURBSIDE (RIGHT)

THIS PRINT AND ALL RIGHTS TO THE DESIGN AND DETAIL THEREON ARE THE PROPERTY OF VT HACKNEY AND IS LOANED TO THE RECIPIENT SUBJECT TO RETURN UPON DEMAND. ITS CONTENTS ARE CONFIDENTIAL AND MUST NOT BE COPIED OR SUBMITTED TO OUTSIDE PARTIES FOR USE OR EXAMINATION. COPYRIGHT 2015 VT HACKNEY A COMPANY OF VT SYSTEMS



© 2015 VT HACKNEY INC

NOTE: ESTIMATED DIMENSIONS, MEASUREMENTS DEPEND ON CHASSIS, TIRES, SPRINGS, AND LOADING.

CUSTOM DESIGN FOR:

DRAWN BY: EES DATE: 02/01/18

SHEET: 1 OF 2

NJPA

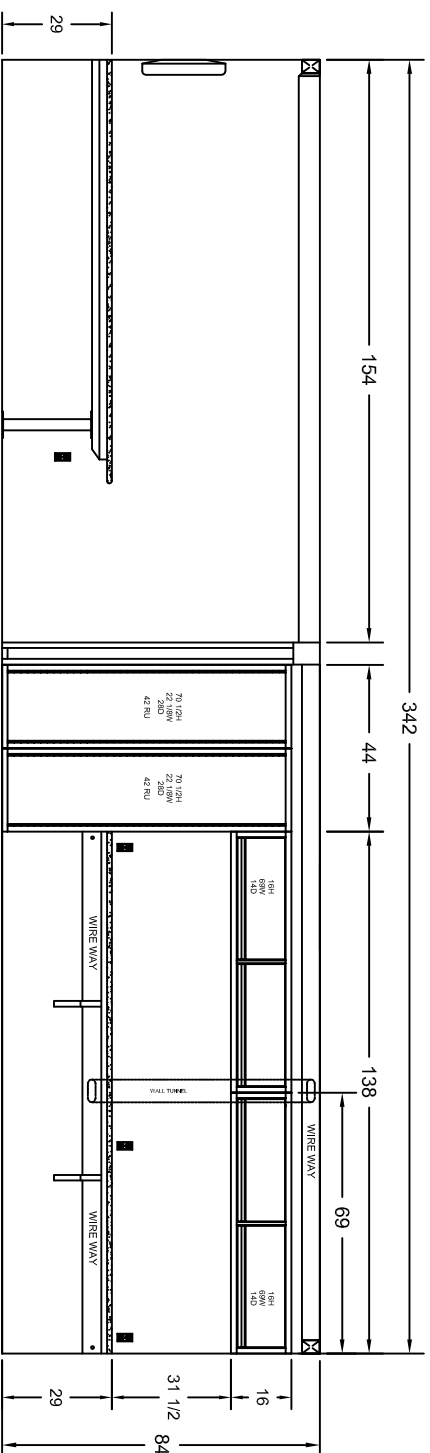
CONTRACT #

MODEL: CM-2900

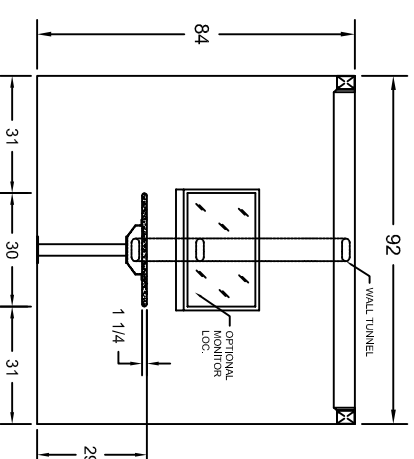
SCALE: 60

DRAWING NO.

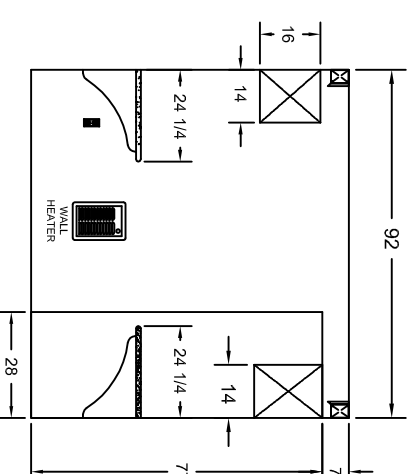
REV. -



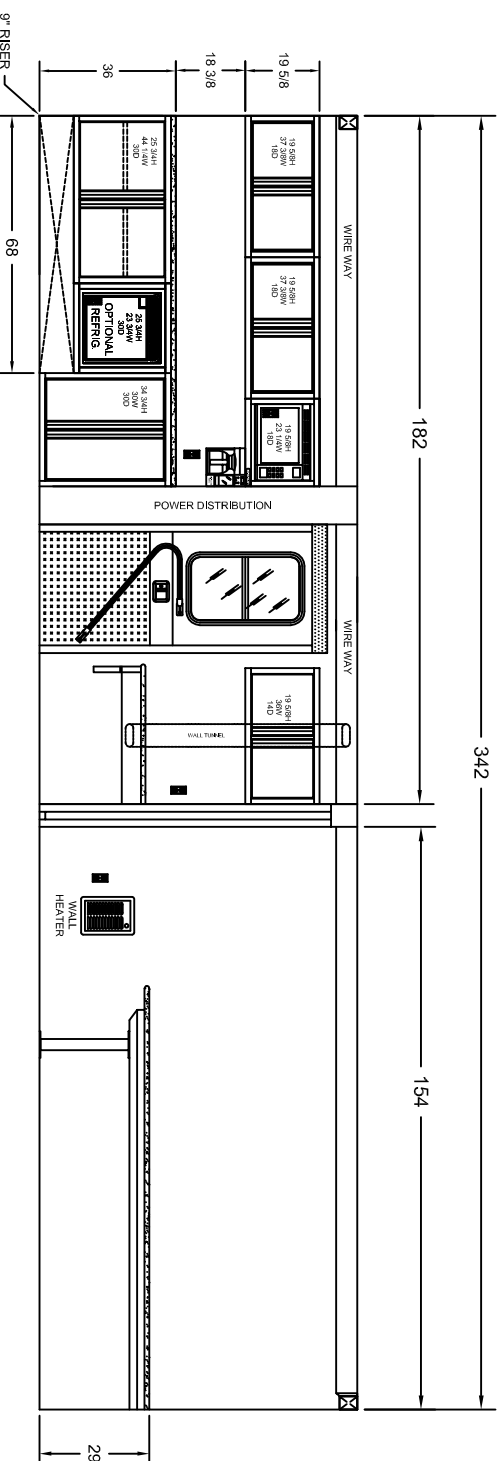
STREETSIDE INTERIOR



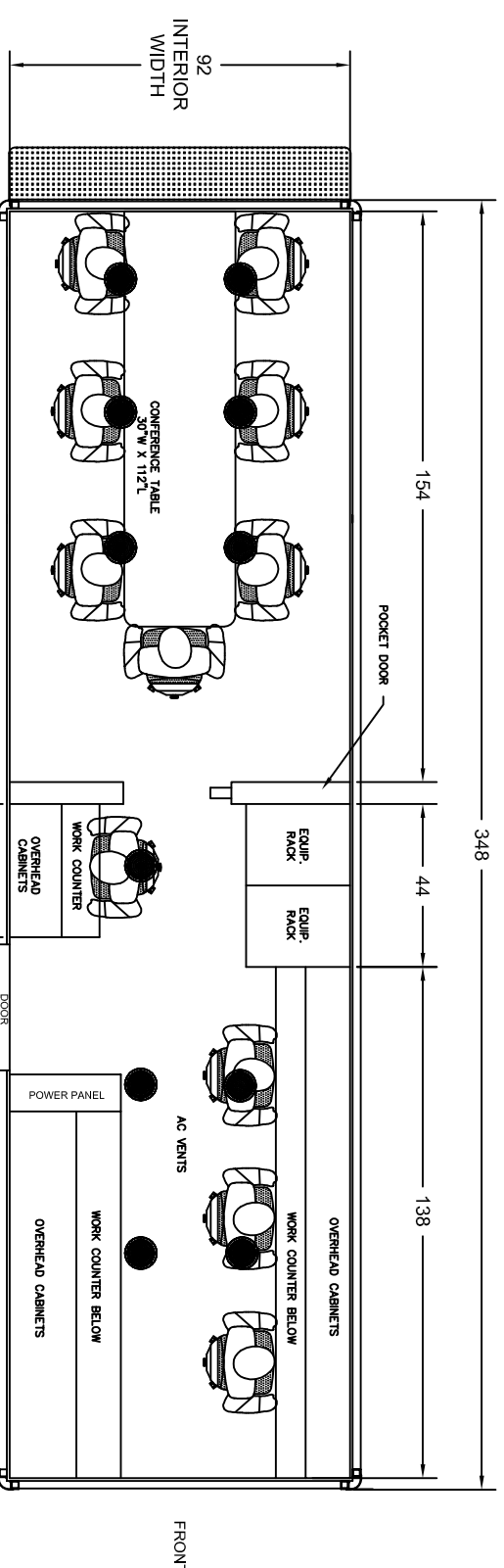
REAR INTERIOR WALL



FRONT INTERIOR WALL



CURBSIDE INTERIOR



FLOOR PLAN

THIS PRINT AND ALL RIGHTS TO THE DESIGN AND DETAIL THEREON ARE THE PROPERTY OF VT HACKNEY AND IS LOANED TO THE RECIPIENT SUBJECT TO RETURN UPON DEMAND. ITS CONTENTS ARE CONFIDENTIAL AND MUST NOT BE COPIED OR SUBMITTED TO OUTSIDE PARTIES FOR USE OR EXAMINATION. COPYRIGHT 2015 VT HACKNEY A COMPANY OF VT SYSTEMS



A company of VT Systems
WASHINGTON, NC 27889-0880



© 2015 VT HACKNEY INC
DRAWN BY: EES
DATE: 02/01/18

CUSTOM DESIGN FOR:

NJPA

CONTRACT #

NOTE: ESTIMATED DIMENSIONS, MEASUREMENTS DEPEND ON CHASSIS, TIRES, SPRINGS, AND LOADING.

MODEL: CM-2900

SCALE: 50

DRAWING NO.

REV. -