



VT Hackney

A company of VT Systems



Model DF0773 Medium Rescue

Hackney

Sourcewell 
Formerly NJPA

Awarded Contract

#022818-VTH

DF-0773

Hackney Emergency Vehicles

NJPA - HACKNEY DF0773 RESCUE

Sales Rep:

Terms:

Drawing #:

Est. Delivery Date: / /

Customer PO #:

Penalty:

Customer #:

QPF #:

Exp. Date: 02/15/2018

Quote No: 10154-0002

BODY: XDF100 NJPA DF0773 RESCUE

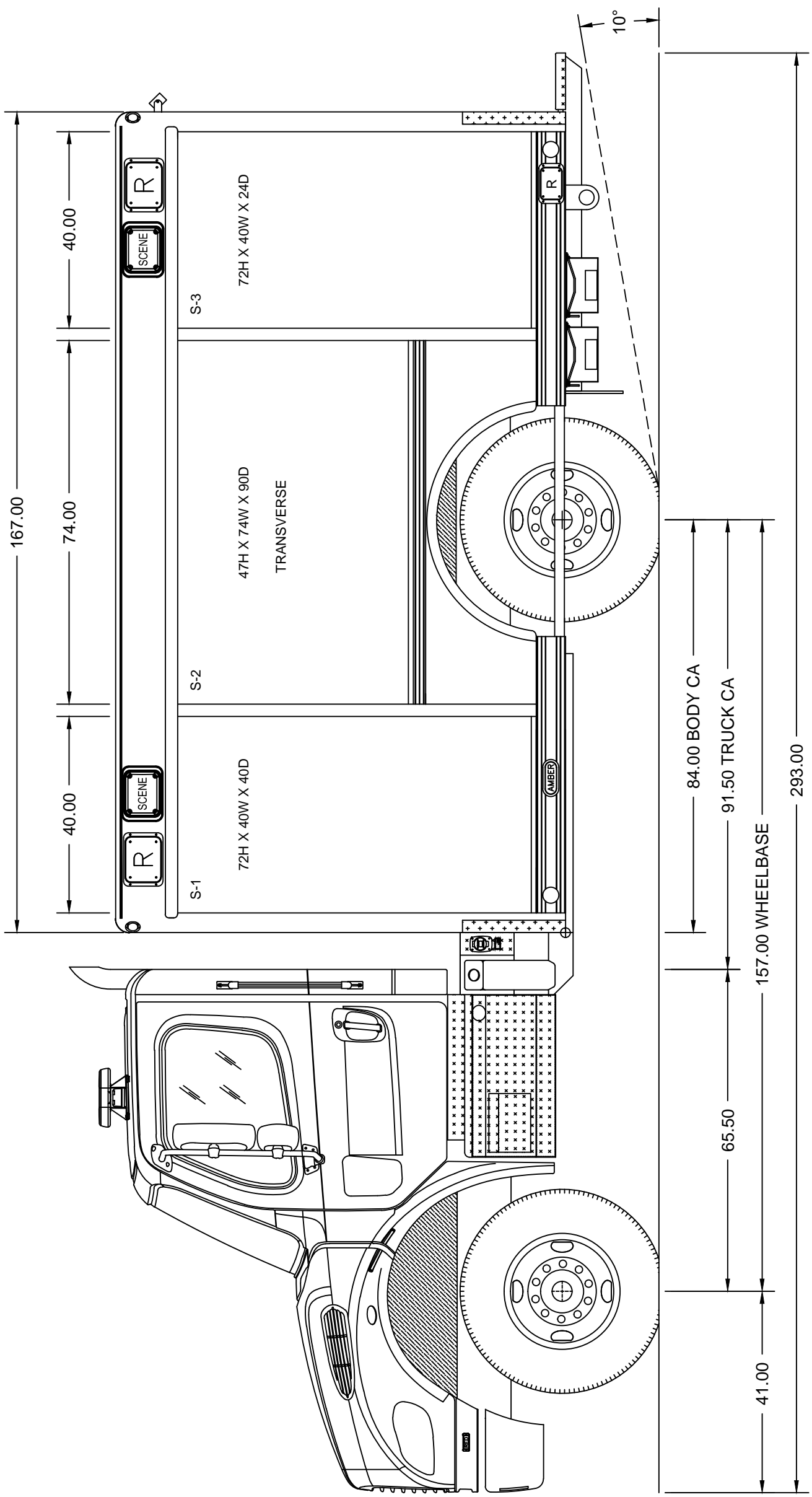
08/17/2018

Page 1

PART NO	DESCRIPTION	QTY
== NJPA DF0773 RESCUE - ==		1
== QW RELEASE - Effective 01-02-18 ==		1
CAB and CHASSIS		1
10-02-0300	FREIGHTLINER M2-106 2-DOOR - CUMMINS ISL-330	1
10-19-0100	FLUID LEVEL DATA - ELECTRONIC DISPLAY	1
10-19-1000	WELDON VEHICLE DATA RECORDER (VDR) - VMUX DISPLAY - NFPA 1901-2009	1
10-19-1025	"MUST BE SEATED AND BELTED" - WARNING PLATE	1
10-19-1045	WARNING PLATE - VEHICLE SPECIFICATION DATA	1
10-19-1075	"DO NOT WEAR HELMET WHILE SEATED" - WARNING PLATE	1
10-41-0000	HOLDER - UNIVERSAL HELMET - ZIAMATIC (EA)	2
10-99-1600	EXHAUST, VERTICAL STACK - OEM INSTALLED	1
11-16-0220	BATTERY CONDITIONER - PROGRESSIVE DYNAMICS	1
11-17-0120	SHOREPOWER- KUSSMAUL AUTO-EJECT - 20 AMP	1
11-17-0201	COVER - 20-AMP - KUSSMAUL YELLOW	1
11-31-5005	ENGINE COMP'T LIGHT - Centered Under Hood	1
11-33-0802	GROUND LIGHTS - TECNIQ LED - FRONT CAB DOOR (PR)	1
12-00-1010	MUD FLAPS - RE-INSTALL CHASSIS OEM	1
12-10-1000	CAB STEP - RIGHT SIDE - 2-DR	1
12-11-1000	FUEL TANK COVER/STEP - FREIGHTLINER - 2-DR	1
12-11-1900	ULTRA-LOW SULFUR DIESEL FUEL ONLY LABEL	1
12-11-1950	DEF FLUID LABEL	1
12-57-0021	TIRE PRESSURE MONITORING - REALWHEELS AIRSECURE - 6-WHL	1
16-10-1510	TOW EYE PLATES - REAR - BLACK (PR)	1
BODY and FRAME OPTIONS		1
20-00-1000	FRAME MODIFICATION - DROP/PINCH	1

PART NO	DESCRIPTION	QTY
20-02-0000	BODY CONSTRUCTION - HEAVY RESCUE	1
20-11-0100	BODY - DF0773 - 7-COMP'T - FLAT ROOF	1
20-71-0020	WHEELHOUSING SKIRT PANEL - PAINTED	1
20-71-0320	FENDERETTES, STAINLESS STEEL (PR)	1
EXTERIOR BODY OPTIONS		1
22-21-0010	STONE GUARDS, FRT & REAR - D/P - (4) - up to 73"H	1
22-25-2000	BUMPER, REAR STEP BRIGHT TREAD PLATE	1
22-25-5500	SIGN - "DANGER - DO NOT RIDE ON REAR STEP"	1
22-33-1000	STEP, REAR WHEEL ALUMINUM STEP (PR)	1
22-40-0100	HOLDER FOR WHEEL CHOCK - ZICO SQCH-44 (EA)	2
22-40-2000	WHEEL CHOCK - ZICO AC-44 (EA)	2
22-50-3010	LICENSE PLATE INSERTS & LIGHT	1
22-51-1000	MUD FLAPS, REAR (PR) BLACK RUBBER	1
INTERIOR BODY OPTIONS		1
23-11-0550	RECESSED ADJUSTABLE SHELF TRACK (EA)	7
EXTERIOR BODY OPTIONS		1
PAINT and GRAPHICS		1
40-00-0011	PAINT BODY - MEDIUM RESCUE - ONE COLOR	1
42-12-0000	TOUCH UP PAINT - ONE QUART	1
42-90-0500	COMPARTMENT WALLS/FLOORS COATING - MULTISPEC (ea. comp't)	7
42-99-0000	UNDERCOATING CAB, FRAME & BODY	1
43-20-2000	STRIPE, REFLECTIVE 4" PRICE PER FOOT REQS DWG	62
43-20-8002	CHEVRON STRIPE - REAR BODY - PRINTED - Body only - not on door	1
43-20-8120	REFLECTIVE STRIPING ACROSS FACE OF BUMPER	1
12VDC ELECTRICAL SYSTEM		1
50-00-0410	ELECTRICAL SYSTEM - V-MUX MULTIPLEX	1
50-00-2110	PANAVISE SWIVEL MOUNTING BRACKET	1
50-03-0001	TEMPERATURE SENSOR & READ-OUT - EXTERNAL	1
50-05-0000	AMP DRAW REPORT - NFPA 1901, Section 9-15	1
50-06-1110	SAFETY INTERLOCK SYSTEM - MED/HD CHASSIS	1
50-10-0100	CAB CONSOLE - FLOOR MOUNT - INTERNATIONAL/FREIGHTLINER - VISIONMUX/V-MUX	1
50-20-0200	BRACKET- HAVIS-SHIELDS SIREN FOR WHELEN 295-Series	1
50-40-0110	CLEARANCE LIGHTS, LED & REFLECTORS W/CENTER REAR THIRD BRAKE	1
50-50-0200	TAIL LIGHT ASSY - LED STOP/TURN/BACKUP with CHROME BEZELS	1
50-50-6000	JAKE BRAKE LIGHT ACTIVATION	1
50-51-9000	AUXILIARY LED TURN SIGNALS - AMBER, CENTER BODY	1
51-10-1725	SCENE LIGHT - SIDE - WHELEN 90 LED OPTI-SCENE (EA)	4
51-10-2515	SCENE LIGHT - REAR - WHELEN 90 LED OPTI-SCENE (EA)	2
51-11-0100	SCENE LIGHT - REAR REVERSE ACTIVATED - V-MUX	1
51-11-0150	SCENE LIGHT - SIDE REVERSE ACTIVATED - V-MUX	1
51-19-0110	GROUND LIGHTS - TECNIQ LED - UNDERBODY MOUNTED (EA)	5
51-50-1825	COMPARTMENT LIGHTS - LED STRIP - 36" RECESSED	2
51-50-1850	COMPARTMENT LIGHTS - LED STRIP - 42" RECESSED	5
51-55-1000	COMP'T OPEN WARNING & AUTO ACTIVATION - V-MUX	1
51-56-0100	COMP'T OPEN WARNING LIGHT - LED	1

PART NO	DESCRIPTION	QTY
NFPA 1901 WARNING LIGHTS		1
UPPER ZONE A - FRONT CAB WARNING LIGHTS		1
54-01-1556	WHELEN JUSTICE JE2NFPA - 56" LIGHT BAR - V-END Configuration	1
LOWER ZONE A - FRONT CAB WARNING LIGHTS		1
54-10-07RC	WHELEN C7LRC RED SURFACEMAX - CLEAR LENS W/C7FC CHROMED BEZEL (ea)	2
AUX ZONE A - FRONT CAB WARNING LIGHTS		1
54-15-5000	HEADLIGHT WIG-WAG PATTERN - V-MUX	1
LOWER ZONE B/D - CAB INTERSECTION WARNING LIGHTS		1
54-20-05RC	WHELEN 50R02ZCR RED SUPER-LED - CLEAR LENS W/5TSMAC CHROME BEZEL (ea)	2
LOWER ZONE B/D - SIDE BODY WARNING LIGHTS		1
54-21-06RC	WHELEN C6LRC RED SURFACEMAX - CLEAR LENS W/C6FC CHROMED BEZEL (ea)	2
LOWER ZONE C - REAR BODY WARNING LIGHTS		1
54-25-06RC	WHELEN C6LRC RED SURFACEMAX - CLEAR LENS W/C6FC CHROMED BEZEL (ea)	2
UPPER ZONE B/D - SIDE BODY WARNING LIGHTS		1
54-30-09RC	WHELEN C9LRC RED SURFACEMAX - CLEAR LENS W/C9FC CHROMED BEZEL (ea)	4
UPPER ZONE C - REAR BODY WARNING LIGHTS		1
54-31-09RC	WHELEN C9LRC RED SURFACEMAX - CLEAR LENS W/C9FC CHROMED BEZEL (ea)	2
54-99-0000	NFPA LIGHTING CERTIFICATION	1
AUDIBLE WARNING DEVICES		1
55-22-1000	SIREN - WHELEN ELECTRONIC - 295SLSA1	1
55-30-1000	HORN/SIREN SWITCH	1
55-41-4020	SPEAKER, SIREN - FREIGHTLINER M2 - THROUGH-THE-BUMPER (EA)	1
MISCELLANEOUS 12VDC OPTIONS		1
58-50-1000	12VDC POWER STRIP - (6) TERMINALS - CAB	1
58-80-1000	BACK-UP ALARM - FEDERAL 210333	1
58-82-0010	REARVIEW COLOR CAMERA WITH NIGHTVISION - V-Mux	1
59-59-0000	ANTENNA COAXIAL W/CONNECTOR - MOTOROLA 17'	1
120/240VAC ELECTRICAL SYSTEM		1
AIR SYSTEMS		1
MISCELLANEOUS EQUIPMENT		1



STREETSIDE EXTERIOR

THIS PRINT AND ALL RIGHTS TO THE DESIGN AND DETAIL THEREON ARE THE PROPERTY OF VT HACKNEY AND IS LOANED TO THE RECIPIENT SUBJECT TO RETURN UPON DEMAND. ITS CONTENTS ARE CONFIDENTIAL AND MUST NOT BE COPIED OR SUBMITTED TO OUTSIDE PARTIES FOR USE OR EXAMINATION. COPYRIGHT 2015 VT HACKNEY A COMPANY OF VT SYSTEMS



A company of VT Systems
WASHINGTON, NC 27889-0880



DRAWN BY EES DATE 02/01/18 SHEET 2 OF 3

CUSTOM DESIGN FOR NJPA

CONTRACT #

MODEL: DF-0773

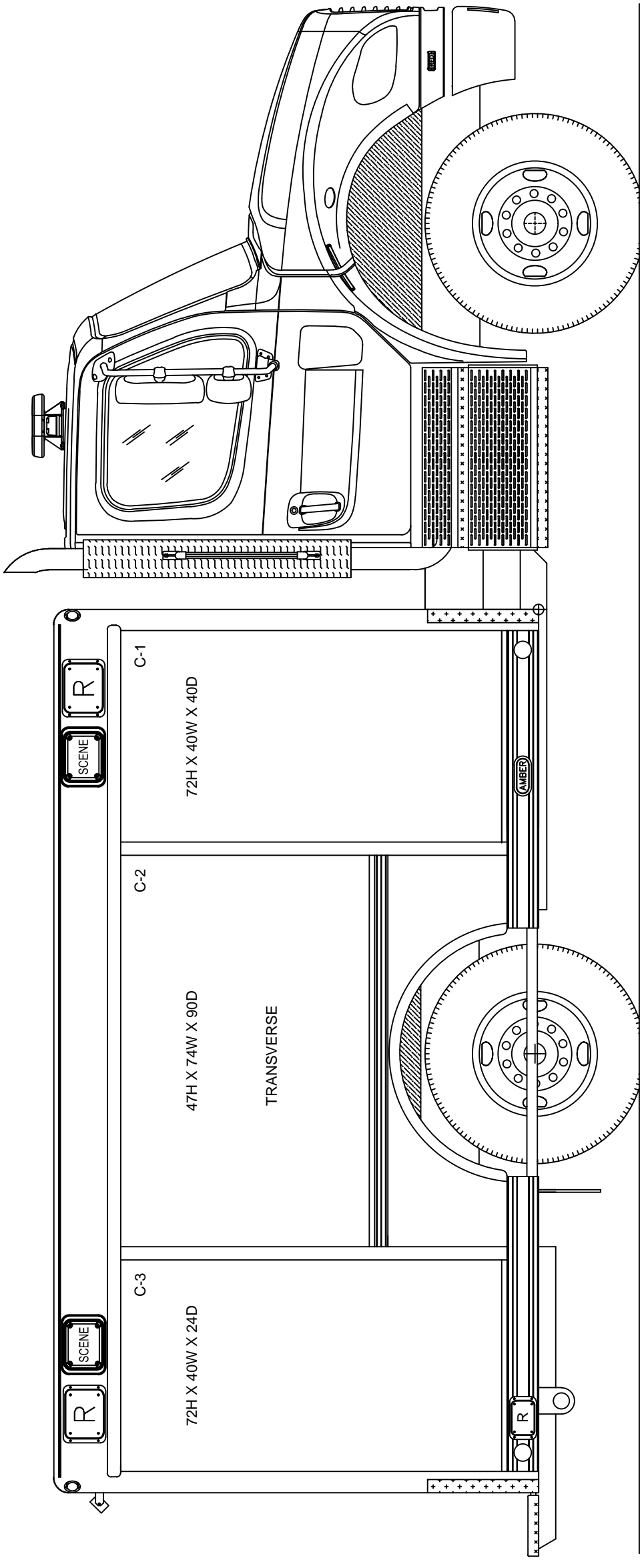
SCALE: 20

DRAWING NO.

REV: -

© 2015 VT HACKNEY INC

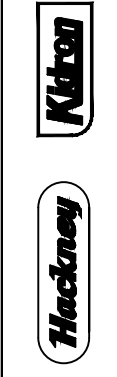
NOTE: ESTIMATED DIMENSIONS. MEASUREMENTS DEPEND ON CHASSIS, TIRES, SPRINGS, AND LOADING.



CURBSIDE EXTERIOR

THIS PRINT AND ALL RIGHTS TO THE DESIGN AND DETAIL THEREON ARE THE PROPERTY OF VT HACKNEY AND IS LOANED TO THE RECIPIENT SUBJECT TO RETURN UPON DEMAND. ITS CONTENTS ARE CONFIDENTIAL AND MUST NOT BE COPIED OR SUBMITTED TO OUTSIDE PARTIES FOR USE OR EXAMINATION. COPYRIGHT 2015 VT HACKNEY A COMPANY OF VT SYSTEMS

VT Hackney
A company of VT Systems
WASHINGTON, NC 27889-0880



DRAWN BY: EES
DATE: 02/01/18
SHEET: 1 OF 3
MODEL: DF-0773
SCALE: 20

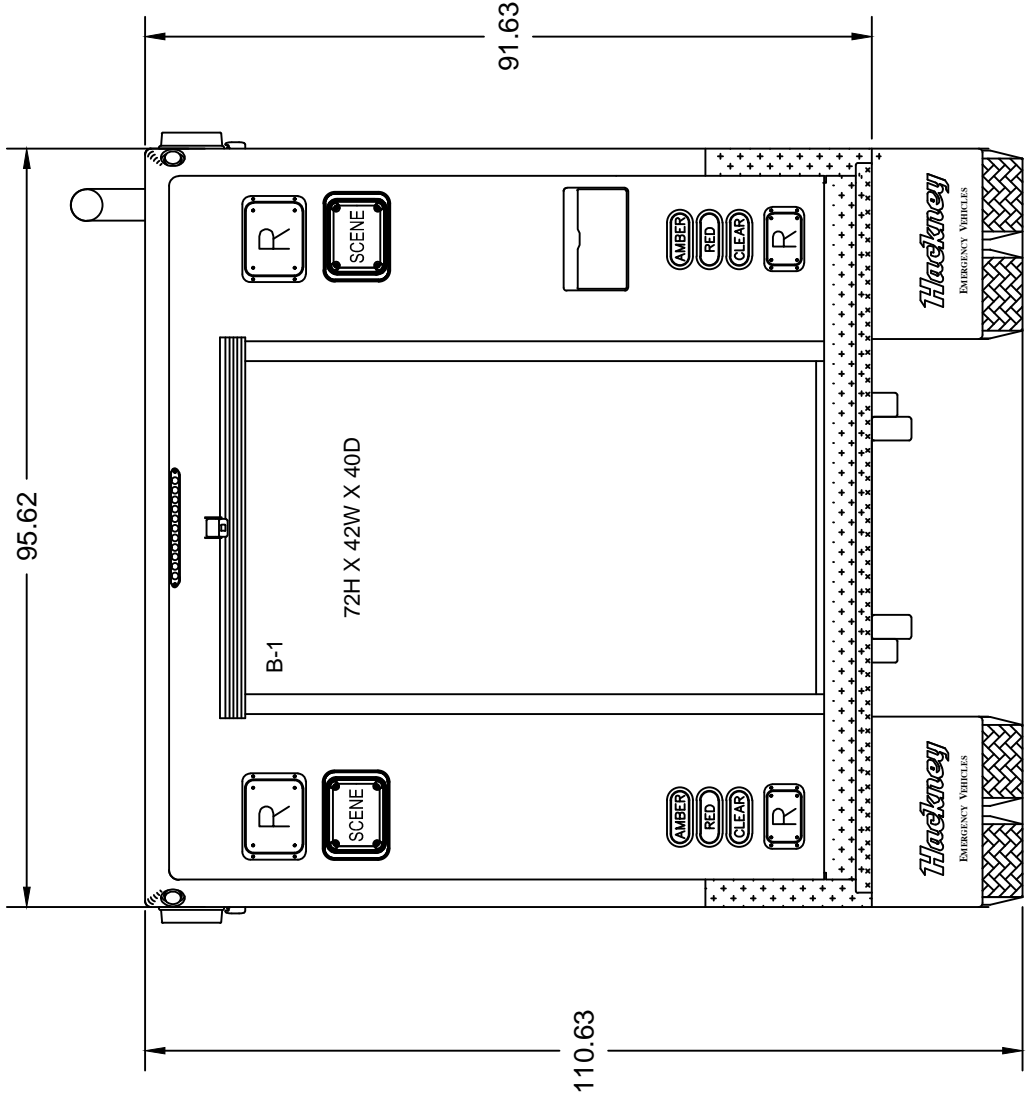
CUSTOM DESIGN FOR:
NJPA

CONTRACT #

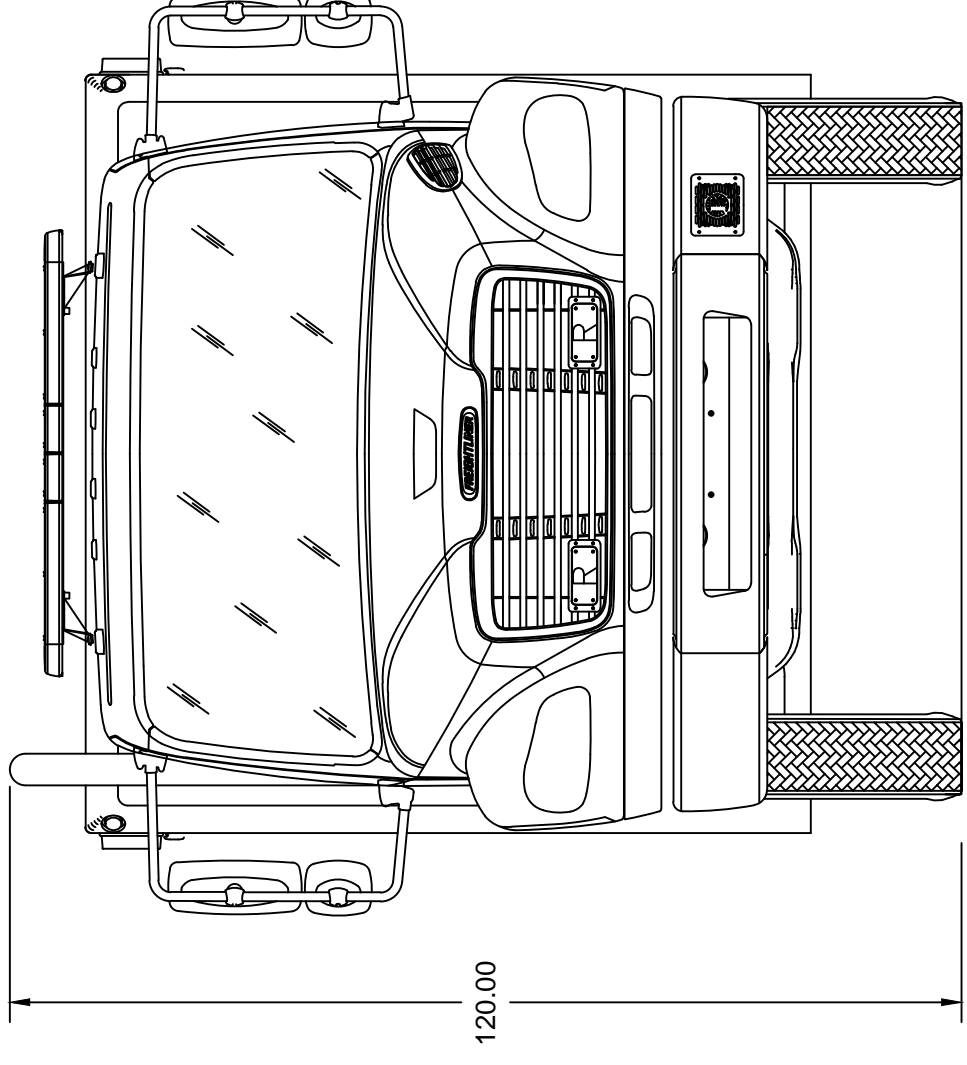
DRAWING NO. -

© 2015 VT HACKNEY INC

NOTE: ESTIMATED DIMENSIONS.
MEASUREMENTS DEPEND ON CHASSIS,
TIRES, SPRINGS, AND LOADING.



REAR VIEW



FRONT VIEW

THIS PRINT AND ALL RIGHTS TO THE DESIGN AND DETAIL THEREON ARE THE PROPERTY OF VT HACKNEY AND IS LOANED TO THE RECIPIENT SUBJECT TO RETURN UPON DEMAND. ITS CONTENTS ARE CONFIDENTIAL AND MUST NOT BE COPIED OR SUBMITTED TO OUTSIDE PARTIES FOR USE OR EXAMINATION. COPYRIGHT 2015 VT HACKNEY A COMPANY OF VT SYSTEMS

© 2015 VT HACKNEY INC

NOTE: ESTIMATED DIMENSIONS.
MEASUREMENTS DEPEND ON CHASSIS,
TIRES, SPRINGS, AND LOADING.



A company of VT Systems
WASHINGTON, NC 27889-0880

DRAWN BY EES DATE 02/01/18 SHEET 3 OF 3

CUSTOM DESIGN FOR NJPA

CONTRACT #

MODEL: DF-0773

SCALE 20

DRAWING NO.

REV. -

