



VT Hackney

A company of VT Systems



Model DFC1173 Heavy Rescue

Hackney

Sourcewell 
Formerly NJPA

Awarded Contract

Contract # 022818-VTH

DFC-1173

Hackney Emergency Vehicles

NJPA - HACKNEY DF1173 - HEAVY RESCUE

Sales Rep:

Terms:

Drawing #:

Est. Delivery Date: / /

Customer PO #:

Penalty:

Customer #:

QPF #:

Exp. Date: 03/09/2018

Quote No: 10009-0001

BODY: XDFC100 NJPA DFC1173 HEAVY RESCUE

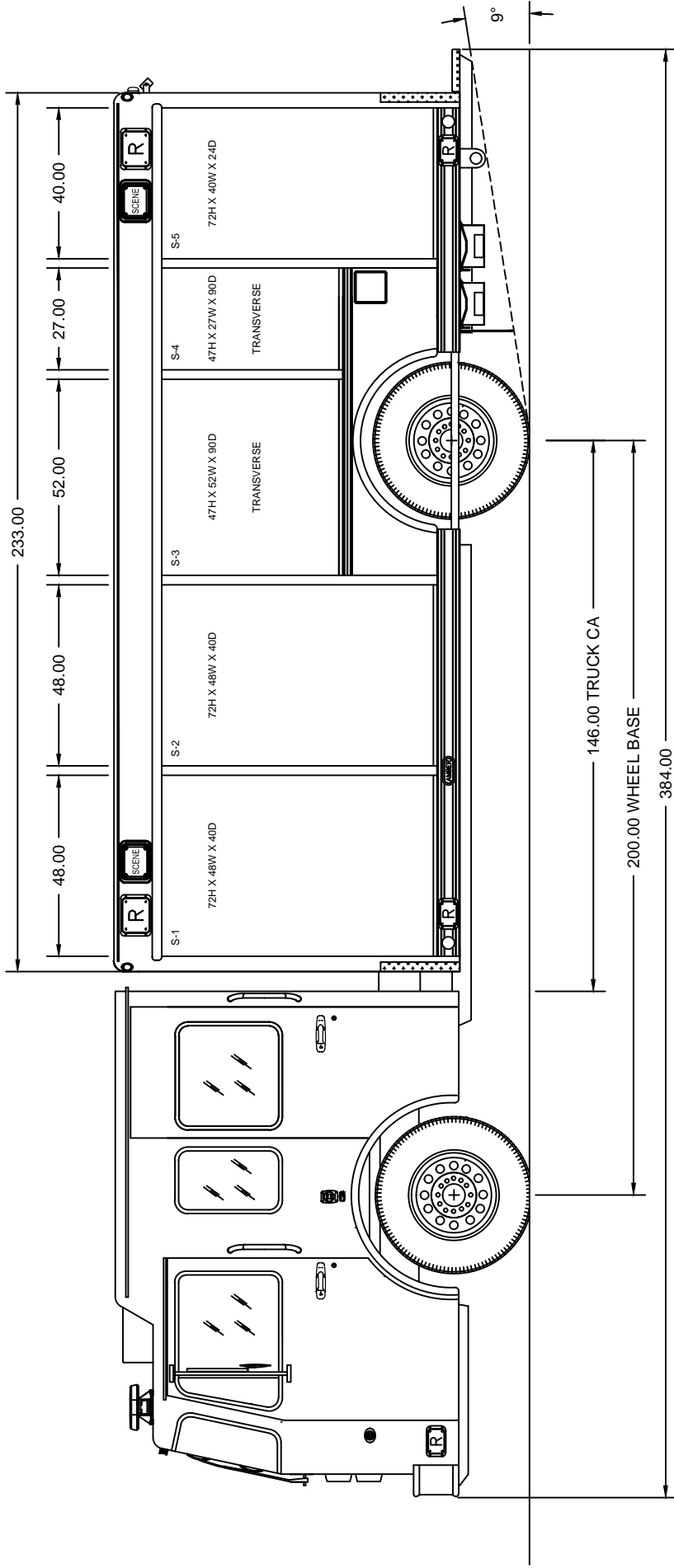
08/17/2018

Page 1

PART NO	DESCRIPTION	QTY
== NJPA DFC1173 HEAVY RESCUE - ==		1
== QW RELEASE - Effective 01-02-18 ==		1
CAB and CHASSIS		1
10-01-0010	SPARTAN CHASSIS - MFD WITH 10" RAISED ROOF	1
10-19-0100	FLUID LEVEL DATA - ELECTRONIC DISPLAY	1
10-19-1045	WARNING PLATE - VEHICLE SPECIFICATION DATA	1
10-19-1050	"SEATING OCCUPANCY" - WARNING PLATE	1
10-99-0020	EXHAUST PIPE LOCATION - FORWARD OF RIGHT WHEELS	1
11-16-0220	BATTERY CONDITIONER - PROGRESSIVE DYNAMICS	1
11-17-0020	SHOREPOWER INLET, 20 AMP W/COVER & FEMALE PLU	1
12-00-1010	MUD FLAPS - RE-INSTALL CHASSIS OEM	1
16-10-1510	TOW EYE PLATES - REAR - BLACK (PR)	1
BODY and FRAME OPTIONS		1
20-00-1000	FRAME MODIFICATION - DROP/PINCH	1
20-02-0000	BODY CONSTRUCTION - HEAVY RESCUE	1
20-11-4600	BODY - DFC1173 - 11-COMP'T - CUSTOM CAB	1
20-49-9000	OVERALL HEIGHT PLATE	1
20-61-0200	ROLLERS, STAINLESS STEEL ROLL-UP DOOR - ILOS - (Ea. Comp't Door)	11
20-71-0020	WHEELHOUSING SKIRT PANEL - PAINTED	1
20-71-0320	FENDERETTES, STAINLESS STEEL (PR)	1
20-72-2050	FUEL FILLER W/HINGED ACCESS DOOR - CPI - CUSTOM CAB	1
20-72-3000	ULTRA-LOW SULFUR DIESEL FUEL ONLY LABEL	1
20-72-3100	DEF FLUID LABEL	1

PART NO	DESCRIPTION	QTY
EXTERIOR BODY OPTIONS		1
22-21-0000	STONE GUARDS, FRT & REAR - D/P CORNERS (4)	1
22-25-2000	BUMPER, REAR STEP BRIGHT TREAD PLATE	1
22-25-5500	SIGN - "DANGER - DO NOT RIDE ON REAR STEP"	1
22-33-1000	STEP, REAR WHEEL ALUMINUM STEP (PR)	1
22-40-0090	WHEEL CHOCK - ZICO COLLAPSIBLE TYPE (EA)	2
22-40-0100	HOLDER FOR WHEEL CHOCK - ZICO SQCH-44 (EA)	2
22-50-3010	LICENSE PLATE INSERTS & LIGHT	1
22-51-1000	MUD FLAPS, REAR (PR) BLACK RUBBER	1
INTERIOR BODY OPTIONS		1
23-11-0550	RECESSED ADJUSTABLE SHELF TRACK (EA)	11
EXTERIOR BODY OPTIONS		1
PAINT and GRAPHICS		1
40-00-0012	PAINT BODY - HEAVY RESCUE - ONE COLOR	1
42-12-0000	TOUCH UP PAINT - ONE QUART	1
42-90-0500	COMPARTMENT WALLS/FLOORS COATING - MULTISPEC (ea. comp't)	11
42-99-0000	UNDERCOATING CAB, FRAME & BODY	1
43-20-2000	STRIPE, REFLECTIVE 4" PRICE PER FOOT REQS DWG	70
43-20-8002	CHEVRON STRIPE - REAR BODY - PRINTED - Body only - not on door	1
43-20-8120	REFLECTIVE STRIPING ACROSS FACE OF BUMPER	1
12VDC ELECTRICAL SYSTEM		1
50-00-0510	ELECTRICAL SYSTEM - V-MUX MULTIPLEX - SPARTAN	1
50-00-2100	VISTA MOUNTED IN CONSOLE/DASH	1
50-03-0001	TEMPERATURE SENSOR & READ-OUT - EXTERNAL	1
50-03-0002	TEMPERATURE SENSOR & READ-OUT - INTERIOR	1
50-05-0000	AMP DRAW REPORT - NFPA 1901, Section 9-15	1
50-06-0000	MESSAGE DISPLAY - DO NOT MOVE TRUCK	1
50-06-1110	SAFETY INTERLOCK SYSTEM - MED/HD CHASSIS	1
50-40-0110	CLEARANCE LIGHTS, LED & REFLECTORS W/CENTER REAR THIRD BRAKE	1
50-50-0200	TAIL LIGHT ASSY - LED STOP/TURN/BACKUP with CHROME BEZELS	1
50-51-9000	AUXILIARY LED TURN SIGNALS - AMBER, CENTER BODY	1
51-10-1810	SCENE LIGHT - SIDE - WHELEN M9 LED OPTI-SCENE (EA)	4
51-10-2850	SCENE LIGHT - REAR - WHELEN M9 LED OPTI-SCENE (EA)	2
51-11-0100	SCENE LIGHT - REAR REVERSE ACTIVATED - V-MUX	1
51-11-0150	SCENE LIGHT - SIDE REVERSE ACTIVATED - V-MUX	1
51-19-0110	GROUND LIGHTS - TECNIQ LED - UNDERBODY MOUNTED (EA)	5
51-19-0130	GROUND LIGHTS ACTIVATED BY TURN SIGNALS /REVERSE	1
51-50-1825	COMPARTMENT LIGHTS - LED STRIP - 36" RECESSED	4
51-50-1850	COMPARTMENT LIGHTS - LED STRIP - 42" RECESSED	7
51-55-1000	COMP'T OPEN WARNING & AUTO ACTIVATION - V-MUX	1
51-55-2000	COMP'T OPEN WARNING BUZZER	1
51-56-0100	COMP'T OPEN WARNING LIGHT - LED	1
NFPA 1901 WARNING LIGHTS		1

PART NO	DESCRIPTION	QTY
UPPER ZONE A - FRONT CAB WARNING LIGHTS		1
54-01-1800	NO LIGHT BAR-SUPPLIED WITH CAB AND CHASSIS	1
LOWER ZONE A - FRONT CAB WARNING LIGHTS		1
54-11-RDQ1	NO FRONT WARNING LIGHTS - PROVIDED WITH CAB	1
LOWER ZONE B/D - CAB INTERSECTION WARNING LIGHTS		1
54-20-RDQ2	NO CAB INTERSECTION LIGHTS - SUPPLIED WITH CAB	1
LOWER ZONE B/D - SIDE BODY WARNING LIGHTS		1
54-21-06RC	WHELEN C6LRC RED SURFACEMAX - CLEAR LENS W/C6FC CHROMED BEZEL (ea)	4
LOWER ZONE C - REAR BODY WARNING LIGHTS		1
54-25-06RC	WHELEN C6LRC RED SURFACEMAX - CLEAR LENS W/C6FC CHROMED BEZEL (ea)	2
UPPER ZONE B/D - SIDE BODY WARNING LIGHTS		1
54-30-M9RC	WHELEN M9RC RED SUPER-LED - CLEAR W/M9FC CHROME BEZEL (ea)	4
UPPER ZONE C - REAR BODY WARNING LIGHTS		1
54-31-09RC	WHELEN C9LRC RED SURFACEMAX - CLEAR LENS W/C9FC CHROMED BEZEL (ea)	2
AUDIBLE WARNING DEVICES		1
55-30-1000	HORN/SIREN SWITCH	1
58-80-1000	BACK-UP ALARM - FEDERAL 210333	1
58-82-0010	REARVIEW COLOR CAMERA WITH NIGHTVISION - V-Mux	1
59-59-0000	ANTENNA COAXIAL W/CONNECTOR - MOTOROLA 17'	1
MISCELLANEOUS EQUIPMENT		1
89-99-9600	DOT SAFETY KIT	1
ADMINISTRATIVE - FIXED		1
98-01-1000	MANUAL, HACKNEY OWNERS W/SCHEMATICS	1
98-10-1000	DELIVERY - SPARTAN TO HACKNEY	1
98-10-1500	PRE-DELIVERY CLEAN-UP - CAB & BODY	1
98-11-1000	FUEL TANK FULL AT FACTORY DELIVERY (up to 50-gallon tank)	1
99-99-9998	TEST DRIVE & INSURANCE REQUIREMENTS	1
99-99-9999	SHOP ORDER APPROVAL	1



STREETSIDE EXTERIOR

THIS PRINT AND ALL RIGHTS TO THE DESIGN AND DETAIL HEREIN ARE RESERVED BY VT HACKNEY INC. AND WILL REMAIN THE PROPERTY OF VT HACKNEY INC. ALL RIGHTS ARE RESERVED. NO PART OF THIS DRAWING IS TO BE REPRODUCED OR TRANSMITTED IN ANY FORM OR BY ANY MEANS, ELECTRONIC OR MECHANICAL, INCLUDING PHOTOCOPYING, RECORDING, OR BY ANY INFORMATION STORAGE AND RETRIEVAL SYSTEM, WITHOUT THE WRITTEN PERMISSION OF VT HACKNEY INC. COPYRIGHT 2015 VT HACKNEY A COMPANY OF VT SYSTEMS

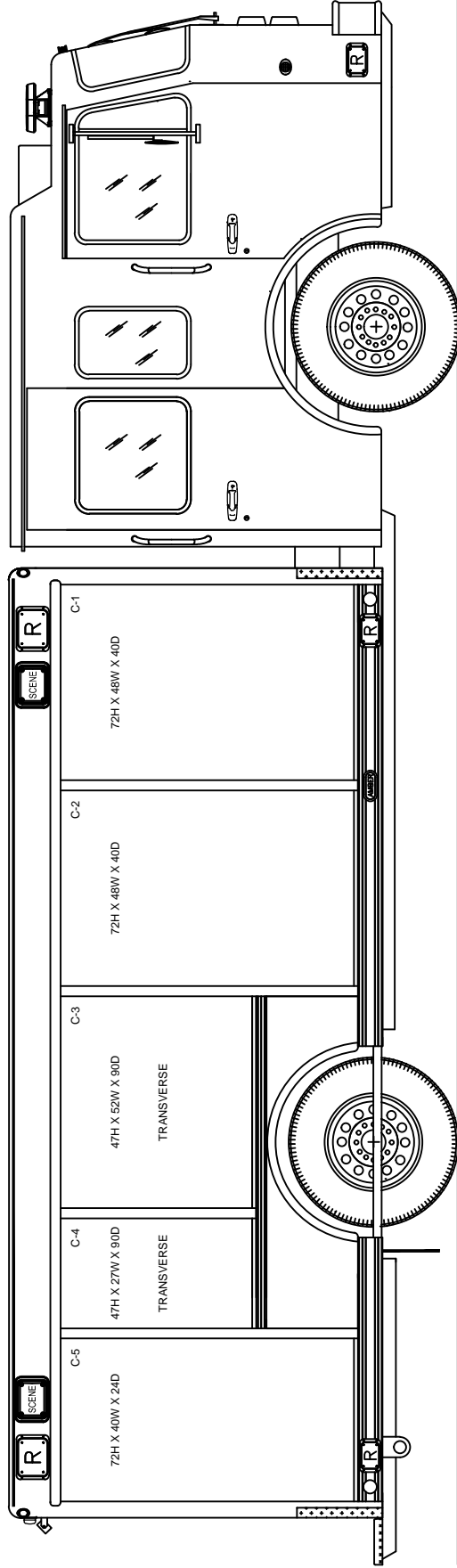
VT Hackney
A company of VT Systems
WASHINGTON, NC 27889-0880

DATE: 02/01/18
SHEET: 2 OF 3
MODEL: DFC-1173
SCALE: 27

DATE: 02/01/18
SHEET: 2 OF 3
MODEL: DFC-1173
SCALE: 27

© 2015 VT HACKNEY INC
NOTE: ESTIMATED DIMENSIONS
MEASUREMENTS DEPEND ON CHASSIS,
TIRES, SPRINGS, AND LOADING.

CONTRACT # NJPA
DRAWING NO. REV: -



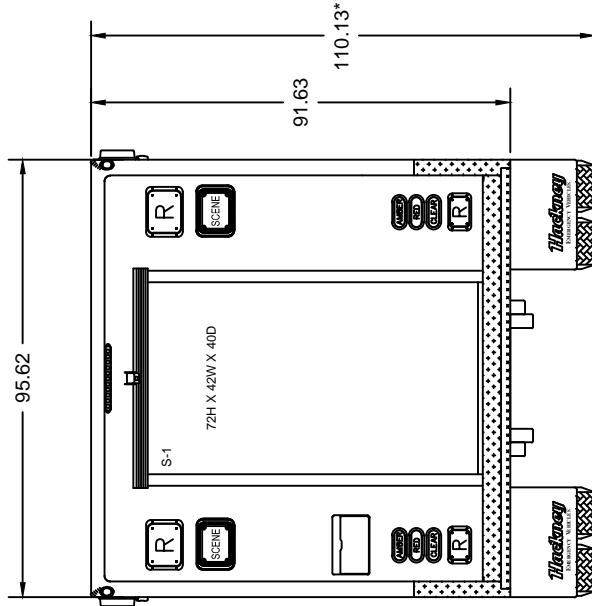
CURBSIDE EXTERIOR

THIS PRINT AND ALL RIGHTS TO THE DESIGN AND DETAIL
HEREIN ARE RESERVED BY VT HACKNEY INC. AND
THE RECIPIENT SUBJECT TO RETURN ON DEMAND. ITS
CONTENTS ARE CONFIDENTIAL AND MUST NOT BE COPIED,
REPRODUCED, OR TRANSMITTED IN ANY MANNER.
COPYRIGHT 2015 VT HACKNEY A COMPANY OF VT SYSTEMS

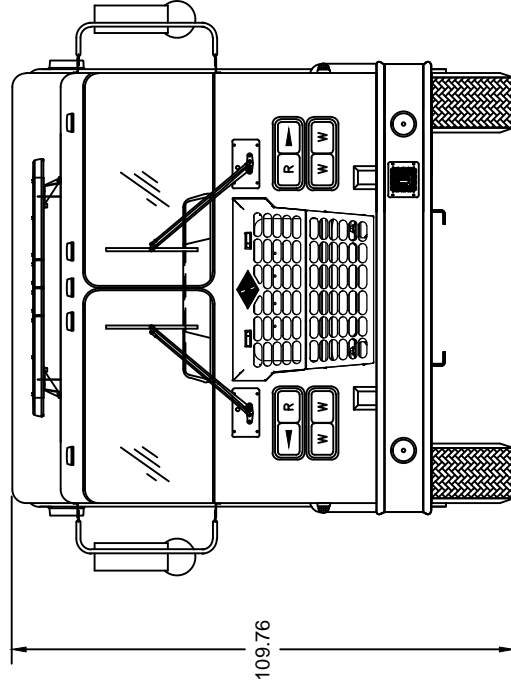
VT Hackney
A company of VT Systems
WASHINGTON, NC 27889-0880



DATE	02/01/18	CUSTOMER DESIGN FOR:	NJPA
DRAWN BY	EES	SCALE	27
SHEET	1 OF 3	CONTRACT #	DFC-1173
MODEL		DRAWING NO.	
© 2015 VT HACKNEY INC		REVISION	
NOTE: ESTIMATED DIMENSIONS			
MEASUREMENTS DEPEND ON CHASSIS,			
TIRES, SPRINGS, AND LOADING.			



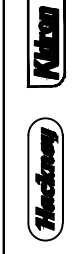
REAR VIEW



FRONT VIEW

THIS PRINT AND ALL RIGHTS TO THE DESIGN AND DETAIL ARE RESERVED BY VT HACKNEY INC. ANY REPRODUCTION OF THIS CONTENTS ARE CONFIDENTIAL AND MUST NOT BE COPIED OR DISTRIBUTED WITHOUT THE WRITTEN PERMISSION OF VT HACKNEY INC. COPYRIGHT 2015 VT HACKNEY A COMPANY OF VT SYSTEMS

VT Hackney
A company of VT Systems
WASHINGTON, NC 27889-0880



DATE: 02/01/18
CUSTOMER: NJPA

SHEET: 3 OF 3
CONTRACT #: DFC-1173

SCALE: 27

REV: -

© 2015 VT HACKNEY INC

NOTE: ESTIMATED DIMENSIONS
MEASUREMENTS DEPEND ON CHASSIS,
TIRES, SPRINGS, AND LOADING.