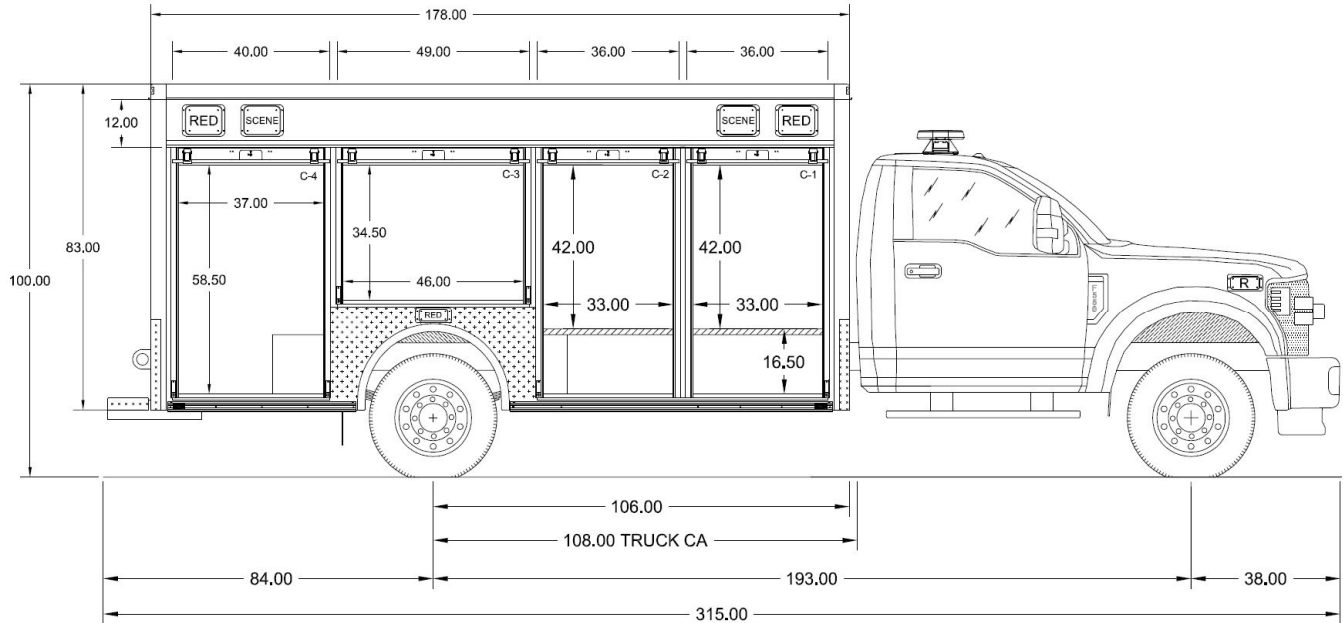




VT Hackney

A company of VT Systems



Model LRC-0958-108 Light Rescue



Sourcewell 
Formerly NJPA

Awarded Contract

Contract # 022818-VTH

LRC-0958-108

Hackney Emergency Vehicles

NJPA - HACKNEY LRC0958 - 108

Sales Rep:

Terms:

Drawing #:

Est. Delivery Date: / /

Customer PO #:

Penalty:

Customer #:

QPF #:

Exp. Date: 02/10/2018

Quote No: 10101-0002

BODY: XLRC300 NJPA LRC0758-108 LIGHT RESCUE

08/17/2018

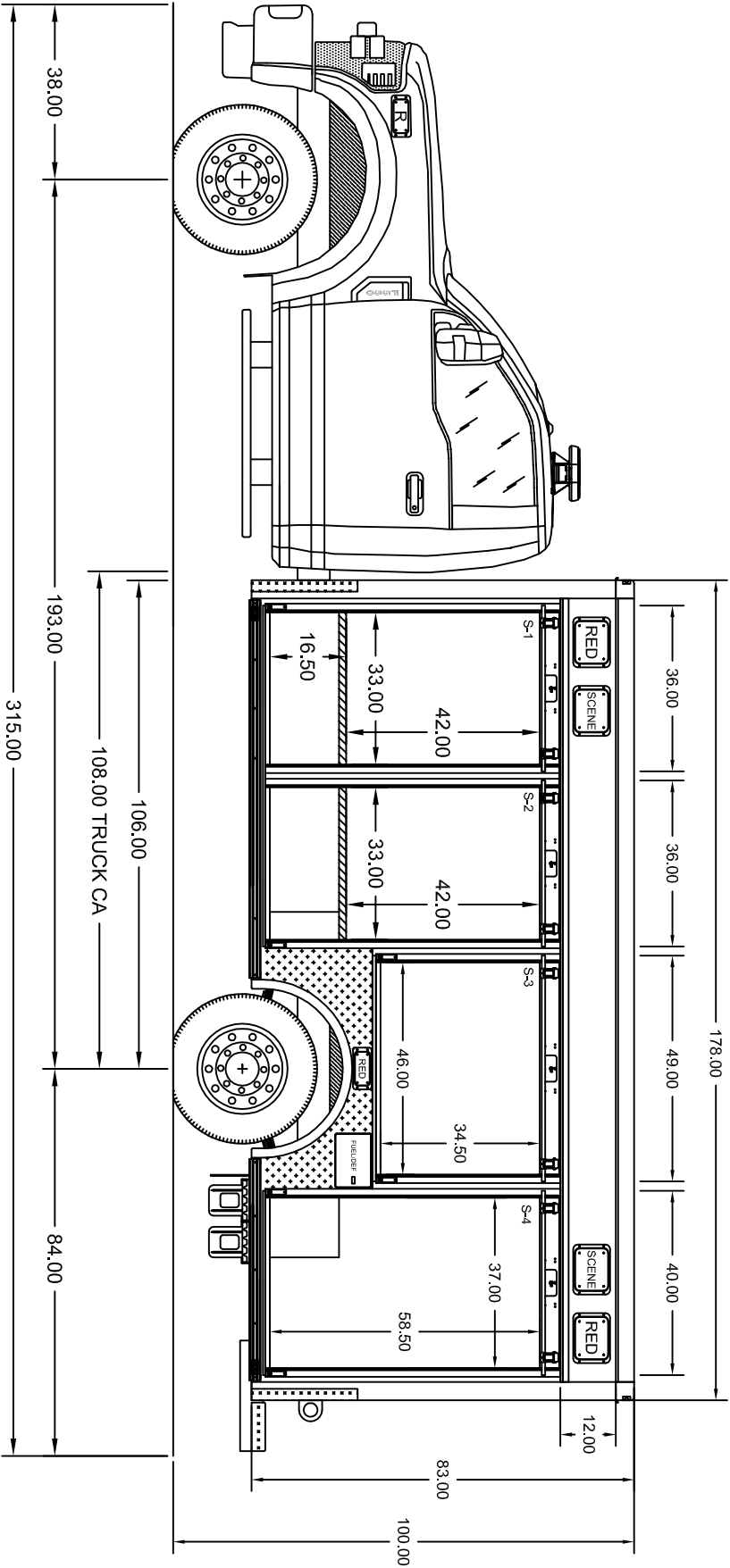
Page 1

PART NO	DESCRIPTION	QTY
	== NJPA LRC0758-108 LIGHT RESCUE - ==	1
	== QW RELEASE - Effective 01-02-18 ==	1
	CAB and CHASSIS	1
10-04-5210	FORD F-550 - 2-DR/2WD - 108"CA	1
10-19-1025	"MUST BE SEATED AND BELTED" - WARNING PLATE	1
10-19-1045	WARNING PLATE - VEHICLE SPECIFICATION DATA	1
10-19-1075	"DO NOT WEAR HELMET WHILE SEATED" - WARNING PLATE	1
10-99-2510	EXHAUST PIPE EXTENSION - FORD SUPER-DUTY	1
11-16-0220	BATTERY CONDITIONER - PROGRESSIVE DYNAMICS	1
11-17-0020	SHOREPOWER INLET, 20 AMP W/COVER & FEMALE PLU	1
11-33-0802	GROUND LIGHTS - TECNIQ LED - FRONT CAB DOOR (PR)	1
12-00-1000	MUD FLAPS, FRT (PR) BLACK RUBBER	1
12-57-0021	TIRE PRESSURE MONITORING - REALWHEELS AIRSECURE - 6-WHL	1
16-10-1510	TOW EYE PLATES - REAR - BLACK (PR)	1
	BODY and FRAME OPTIONS	1
20-00-3000	FRAME MODIFICATION - LR/PL	1
20-11-1386	BODY - LIGHT RESCUE - LRC0958 COMMANDER - 108"CA	1
20-49-9000	OVERALL HEIGHT PLATE	1
20-62-7302	SHUTTER DOOR SILL PLATE (9) - OPTIONAL	1
20-62-7322	SHUTTER DOOR DRIP PAN (9) STAINLESS STEEL (OPTIONAL)	1
20-71-0010	WHEELHOUSING SKIRT PANEL - BRIGHT ALUMINUM TREADPLATE	1
20-71-0120	FRONT BODY PANEL - PAINTED	1
20-71-0210	REAR KICK PANEL - LR MODELS (Optional)	1
20-71-0330	FENDERETTES, STAINLESS STEEL (PR) - COMMANDER	1
20-72-2002	FUEL/DEF FILLER W/HINGED ACCESS DOOR - F450/550 only	1

PART NO	DESCRIPTION	QTY
20-72-3000	ULTRA-LOW SULFUR DIESEL FUEL ONLY LABEL	1
20-72-3100	DEF FLUID LABEL	1
EXTERIOR BODY OPTIONS		1
22-21-0000	STONE GUARDS, FRT & REAR - D/P CORNERS (4)	1
22-25-2000	BUMPER, REAR STEP BRIGHT TREAD PLATE	1
22-25-5500	SIGN - "DANGER - DO NOT RIDE ON REAR STEP"	1
22-40-3000	WHEEL CHOCK - ZICO AC-2 (EA)	2
22-40-3105	WHEEL CHOCK BRACKET - HORIZONTAL FOR ZICO AC-2 (EA)	2
22-50-3010	LICENSE PLATE INSERTS & LIGHT	1
22-51-1000	MUD FLAPS, REAR (PR) BLACK RUBBER	1
INTERIOR BODY OPTIONS		1
23-11-0505	UNISTRUT "C" CHANNEL (set of 4) - up to 30"L	7
23-11-0506	UNISTRUT "C" CHANNEL (set of 4) - up to 50"L	2
23-11-2101	SHELF - EXTENDED FLOOR - PERMANENT (EA)	4
EXTERIOR BODY OPTIONS		1
PAINT and GRAPHICS		1
40-00-0009	PAINT BODY - LIGHT COMMANDER RESCUE - ONE COLOR	1
41-00-0000	DO NOT RE-PAINT CAB	1
42-12-0000	TOUCH UP PAINT - ONE QUART	1
42-90-0500	COMPARTMENT WALLS/FLOORS COATING - MULTISPEC (ea. comp't)	9
42-99-0000	UNDERCOATING CAB, FRAME & BODY	1
43-20-2000	STRIPE, REFLECTIVE 4" PRICE PER FOOT REQS DWG	50
43-20-8005	CHEVRON STRIPE - REAR BODY W/NO REAR DOOR - LIGHT RESCUE	1
43-20-8120	REFLECTIVE STRIPING ACROSS FACE OF BUMPER	1
12VDC ELECTRICAL SYSTEM		1
50-00-1504	ELECTRICAL SYSTEM - VISIONMUX - LR Models	1
50-05-0000	AMP DRAW REPORT - NFPA 1901, Section 9-15	1
50-10-0012	CAB CONSOLE - FLOOR MOUNT - FORD F-550 - VISIONMUX/V-MUX	1
50-20-0200	BRACKET- HAVIS-SHIELDS SIREN FOR WHELEN 295-Series	1
50-40-0110	CLEARANCE LIGHTS, LED & REFLECTORS W/CENTER REAR THIRD BRAKE	1
50-50-0200	TAIL LIGHT ASSY - LED STOP/TURN/BACKUP with CHROME BEZELS	1
51-10-1810	SCENE LIGHT - SIDE - WHELEN M9 LED OPTI-SCENE (EA)	4
51-10-2850	SCENE LIGHT - REAR - WHELEN M9 LED OPTI-SCENE (EA)	2
51-11-0110	SCENE LIGHT - REAR REVERSE ACTIVATED - VISIONMUX	1
51-19-0110	GROUND LIGHTS - TECNIQ LED - UNDERBODY MOUNTED (EA)	5
51-50-1810	COMPARTMENT LIGHTS - LED STRIP - 24" RECESSED	7
51-50-1850	COMPARTMENT LIGHTS - LED STRIP - 42" RECESSED	2
51-56-0100	COMP'T OPEN WARNING LIGHT - LED	1
NFPA 1901 WARNING LIGHTS		1
UPPER ZONE A - FRONT CAB WARNING LIGHTS		1
54-01-1556	WHELEN JUSTICE JE2NFPA - 56" LIGHT BAR - V-END Configuration	1
54-01-9902	BRACKET, LIGHTBAR CAB ROOF MOUNTING -Whelen	1

PART NO	DESCRIPTION	QTY
LOWER ZONE A - FRONT CAB WARNING LIGHTS		1
54-10-M7RC	WHELEN M7R RED SUPER-LED - CLEAR W/M7FC CHROME BEZEL (ea)	2
54-11-N018	LIGHT HOUSING - GRILLE - '17 F-550 - WHELEN 700 SERIES (PR)	1
LOWER ZONE B/D - CAB INTERSECTION WARNING LIGHTS		1
54-20-05RC	WHELEN 50R02ZCR RED SUPER-LED - CLEAR LENS W/5TSMAC CHROME BEZEL (ea)	2
54-20-PD03	LIGHT HOUSING - GRILLE - '17 F-550 - WHELEN 500 SERIES (PR)	1
LOWER ZONE B/D - SIDE BODY WARNING LIGHTS		1
54-21-M7RR	WHELEN M7R RED SUPER-LED - RED W/M7FC CHROME BEZEL (ea)	2
LOWER ZONE C - REAR BODY WARNING LIGHTS		1
54-25-M6RC	WHELEN M6RC RED SUPER-LED - CLEAR W/M4FC CHROME BEZEL (ea)	1
UPPER ZONE B/D - SIDE BODY WARNING LIGHTS		1
54-30-M9RC	WHELEN M9RC RED SUPER-LED - CLEAR W/M9FC CHROME BEZEL (ea)	4
UPPER ZONE C - REAR BODY WARNING LIGHTS		1
54-31-M9RC	WHELEN M9RC RED SUPER-LED - CLEAR W/M9FC CHROME BEZEL (ea)	2
54-99-0000	NFPA LIGHTING CERTIFICATION	1
AUDIBLE WARNING DEVICES		1
55-22-1000	SIREN - WHELEN ELECTRONIC - 295SLSA1	1
55-30-1000	HORN/SIREN SWITCH	1
55-41-5001	SPEAKER, SIREN - F-550 - CPI THRU-THE-BUMPER (DRIVER - 2017)	1
58-50-1000	12VDC POWER STRIP - (6) TERMINALS - CAB	1
58-80-1000	BACK-UP ALARM - FEDERAL 210333	1
58-82-0000	REARVIEW COLOR CAMERA W/NIGHTVISION & MONITOR - Visionmux	1
58-82-0125	REARVIEW MIRROR MOUNTING ARM for MONITOR	1
59-59-0000	ANTENNA COAXIAL W/CONNECTOR - MOTOROLA 17'	1
120/240VAC ELECTRICAL SYSTEM		1
89-99-9600	DOT SAFETY KIT	1
ADMINISTRATIVE - FIXED		1
98-00-5101	FINAL QC - LIGHT RESCUE	1
98-01-1000	MANUAL, HACKNEY OWNERS W/SCHEMATICS	1
98-10-1500	PRE-DELIVERY CLEAN-UP - CAB & BODY	1
98-11-1000	FUEL TANK FULL AT FACTORY DELIVERY (up to 50-gallon tank)	1
99-99-9998	TEST DRIVE & INSURANCE REQUIREMENTS	1
99-99-9999	SHOP ORDER APPROVAL	1

ORIGINAL



STREETSIDE EXTERIOR

THIS DRAWING AND ALL RIGHTS TO THE DESIGN AND METHOD THEREON ARE THE PROPERTY OF VISION COMM AND IS LOANED TO THE RECIPIENT SUBJECT TO RETURN UPON DEMAND. IT IS NOT TO BE REPRODUCED, COPIED, OR SUBMITTED TO OUTSIDE PARTIES FOR USE OR EXAMINATION WITHOUT THE WRITTEN PERMISSION OF VISION COMM. COPYRIGHT 2010 VISION COMM A COMPANY OF VT HACKNEY INC.

© 2010 VT HACKNEY INC.

NOTE: ESTIMATED DIMENSIONS, MEASUREMENTS DEPEND ON CHASSIS, TIRES, SPRINGS, AND LOADING.



VT Hackney
A company of VT Systems
WASHINGTON, NC 27889-0880



PROJ: 02/01/18
DATE: 02/01/18
CUSTOMER: NUPA

DESIGNER: EES

SHEET: 2 of 3

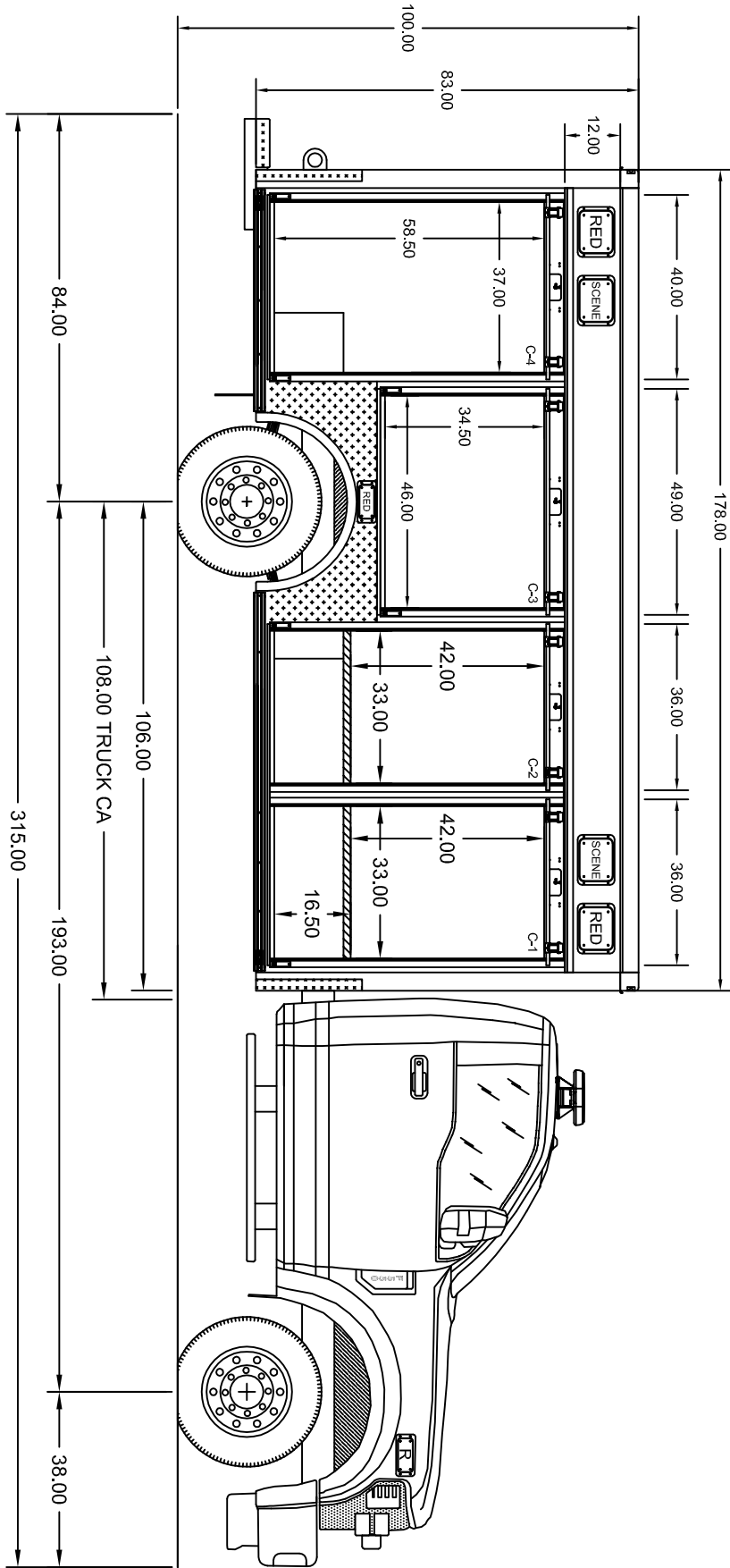
SCALE: 20

MODEL: LRC-0958-108

CONTRACT NO.

DRAWING NO.

REV.



CURBSIDE EXTERIOR

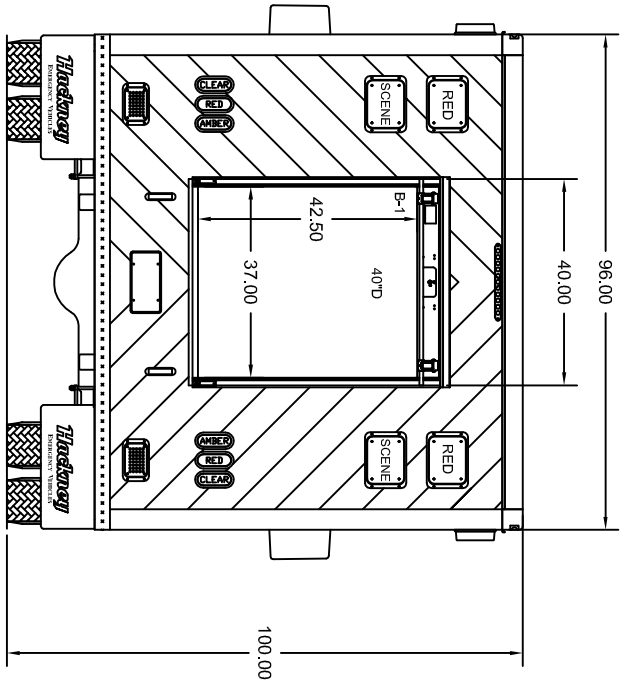
ORIGINAL

THIS DRAWING AND ALL RIGHTS TO THE DESIGN AND DESIGN THEREON ARE THE PROPERTY OF VISION COMM AND IS LOANED TO THE RECIPIENT SUBJECT TO RETURN UPON DEMAND. IT IS NOT TO BE REPRODUCED, COPIED, REPRODUCED, REPRODUCED OR SUBMITTED TO OUTSIDE PARTIES FOR USE OR EXAMINATION WITHOUT THE WRITTEN PERMISSION OF VISION COMM. COPYRIGHT © 2010 VISION COMM A COMPANY OF VT HACKNEY INC.

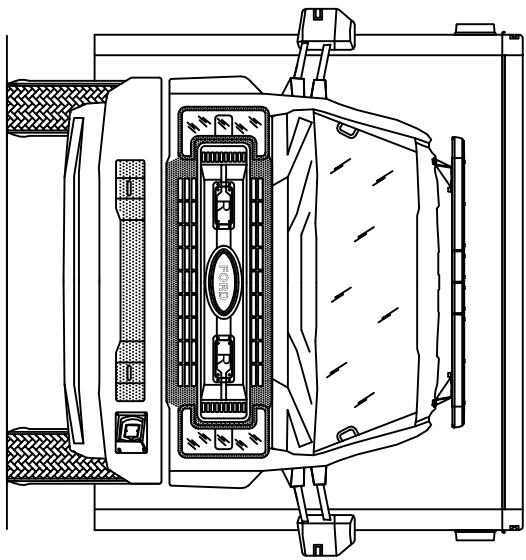
2010 VT HACKNEY INC.
 NOTE: ESTIMATED DIMENSIONS, MEASUREMENTS DEPEND ON CHASSIS, TIRES, SPRINGS, AND LOADING.

A company of VT Systems WASHINGTON, NC 27889-0880		VisionComms CUSTOM DESIGN FOR		NJPA CONTRACT NO.	
DRAWN BY: EES DATE: 02/01/18 SHEET: 1 of 3	MODEL: LRC-0958-108	SCALE: 20	DRAWING NO.	REV.	DATE

ORIGINAL



REAR VIEW



FRONTVIEW

THIS DRAWING AND ALL RIGHTS TO THE DESIGN AND DESIGN THEREON ARE THE PROPERTY OF VT HACKNEY AND IS LOANED TO THE RECIPIENT SUBJECT TO RETURN UPON DEMAND. IT IS NOT TO BE REPRODUCED, COPIED, REPRODUCED, OR SUBMITTED TO OUTSIDE PARTIES FOR USE OR EXAMINATION WITHOUT THE WRITTEN PERMISSION OF VT HACKNEY. COPYRIGHT © 2010 VT HACKNEY A COMPANY OF VT SYSTEMS

© 2010 VT HACKNEY INC.

NOTE: ESTIMATED DIMENSIONS, MEASUREMENTS DEPEND ON CHASSIS, TIRES, SPRINGS, AND LOADING.



VT Hackney
A company of VT Systems
WASHINGTON, NC 27889-0880



VisionComms

DESIGNED BY: EES
DATE: 02/01/18

CUSTOM DESIGN FOR

NJPA
CONTRACT NO.

SHEET: 3 OF 3

SCALE: 20

DRAWING NO.

MODEL: LRC-0958-108

SCALE: 20

DRAWING NO.

REV.