



# VT Hackney

A company of VT Systems



## **Model TR1682 Heavy Duty Rescue Trailer**

***Hackney***

Sourcewell   
Formerly NJPA

Awarded Contract

#022818-VTH

TR-1682

Hackney Emergency Vehicles

NJPA - HACKNEY TR1682 TRAILER

Sales Rep:

Terms:

Drawing #:

Est. Delivery Date: / /

Customer PO #:

Penalty:

Customer #:

QPF #:

Exp. Date: 02/16/2018

Quote No: 10176-0002

BODY: XTR100 NJPA TR1682 TRAILER

08/17/2018

Page 1

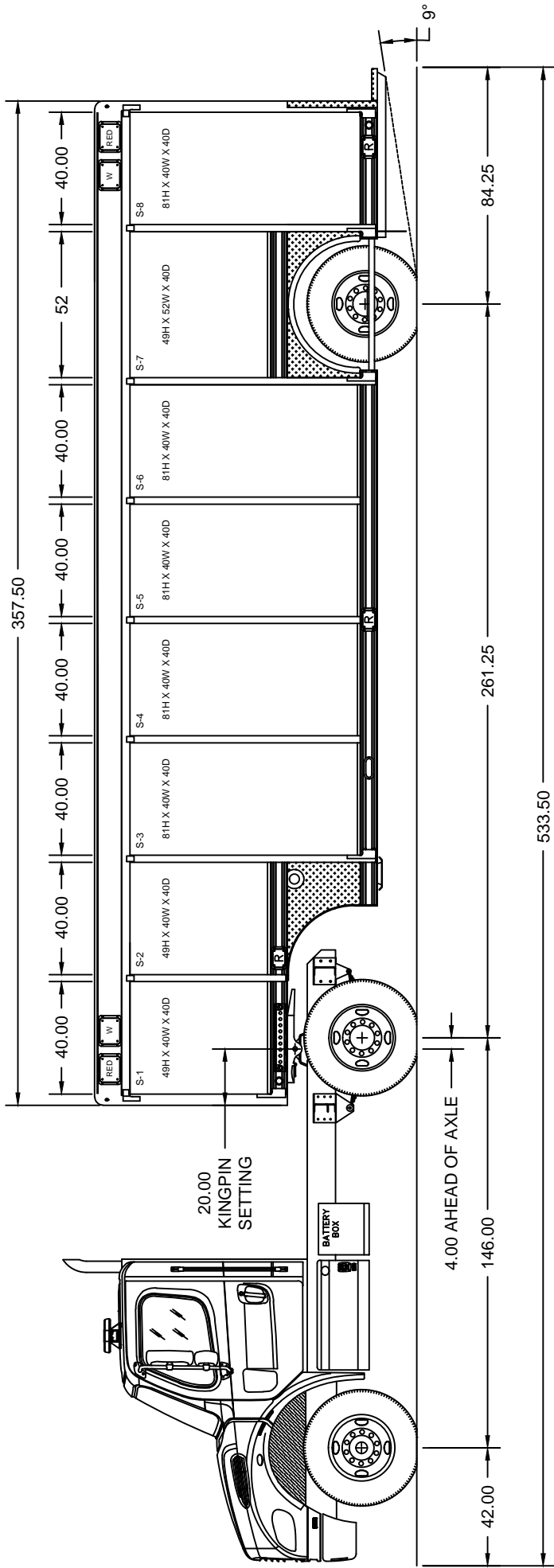
PART NO	DESCRIPTION	QTY
== NJPA TR1682 TRAILER - ==		1
== QW RELEASE - Effective 01-02-18 ==		1
02-10-1000	OAH Restriction - NONE	1
<b>CAB and CHASSIS</b>		<b>1</b>
10-02-1800	FREIGHTLINER M2-112 - TRACTOR - 2-DR CUMMINS L9 - 350HP	1
10-19-0100	FLUID LEVEL DATA - ELECTRONIC DISPLAY	1
10-19-1018	VDR Supplied with Chassis (Freightliner only)	1
10-19-1025	"MUST BE SEATED AND BELTED" - WARNING PLATE	1
10-19-1045	WARNING PLATE - VEHICLE SPECIFICATION DATA	1
10-19-1075	"DO NOT WEAR HELMET WHILE SEATED" - WARNING PLATE	1
10-41-0000	HOLDER - UNIVERSAL HELMET - ZIAMATIC (EA)	2
10-99-1600	EXHAUST, VERTICAL STACK - OEM INSTALLED	1
11-16-0220	BATTERY CONDITIONER - PROGRESSIVE DYNAMICS	1
11-17-0020	SHOREPOWER INLET, 20 AMP W/COVER & FEMALE PLU	1
11-31-5005	ENGINE COMP'T LIGHT - Centered Under Hood	1
11-33-0802	GROUND LIGHTS - TECNIQ LED - FRONT CAB DOOR (PR)	1
12-00-1010	MUD FLAPS - RE-INSTALL CHASSIS OEM	1
12-11-1900	ULTRA-LOW SULFUR DIESEL FUEL ONLY LABEL	1
12-57-0022	TIRE PRESSURE MONITORING - REALWHEELS AIRSECURE - 10-WHL	1
<b>BODY and FRAME OPTIONS</b>		<b>1</b>
20-09-0000	TRAILER & FRAME - SINGLE AXLE	1
20-19-0100	TRAILER BODY - TR1682 - 16 COMPARTMENT - 82/50	1
20-49-9000	OVERALL HEIGHT PLATE	1
20-51-0121	ROOF, BRIGHT ALUMINUM TREADPLATE - ANTI-SLIP - 16-ft or longer Body	1

PART NO	DESCRIPTION	QTY
20-61-0200	ROLLERS, STAINLESS STEEL ROLL-UP DOOR - ILOS - (Ea. Comp't Door)	16
20-71-0010	WHEELHOUSING SKIRT PANEL - BRIGHT ALUMINUM TREADPLATE	1
20-71-0320	FENDERETTES, STAINLESS STEEL (PR)	1
<b>EXTERIOR BODY OPTIONS</b>		<b>1</b>
22-21-0000	STONE GUARDS, FRT & REAR - D/P CORNERS (4)	1
22-25-2000	BUMPER, REAR STEP BRIGHT TREAD PLATE	1
22-25-5500	SIGN - "DANGER - DO NOT RIDE ON REAR STEP"	1
22-31-3500	STEP, DROP DOWN FOR TRAILER (EA)	4
22-33-1000	STEP, REAR WHEEL ALUMINUM STEP (PR)	1
22-40-0090	WHEEL CHOCK - ZICO COLLAPSIBLE TYPE (EA)	2
22-40-0100	HOLDER FOR WHEEL CHOCK - ZICO SQCH-44 (EA)	2
22-50-3010	LICENSE PLATE INSERTS & LIGHT	1
22-51-1000	MUD FLAPS, REAR (PR) BLACK RUBBER	1
<b>INTERIOR BODY OPTIONS</b>		<b>1</b>
23-11-0506	UNISTRUT "C" CHANNEL (set of 4) - up to 50"L	6
23-11-0507	UNISTRUT "C" CHANNEL (set of 4) - Up to 70"L	10
<b>EXTERIOR BODY OPTIONS</b>		<b>1</b>
<b>PAINT and GRAPHICS</b>		<b>1</b>
40-00-0200	PAINT TRAILER - PRIMARY COLOR	1
42-12-0000	TOUCH UP PAINT - ONE QUART	1
42-90-0500	COMPARTMENT WALLS/FLOORS COATING - MULTISPEC (ea. comp't)	16
42-99-0010	UNDERCOATING CAB, TRAILER FRAME & BODY	1
43-20-3000	STRIPE, REFLECTIVE 6" PRICE PER FOOT REQS DWG	86
43-20-8030	CHEVRON STRIPE - REAR TRAILER BODY - HEAVY RESCUE	1
43-20-8120	REFLECTIVE STRIPING ACROSS FACE OF BUMPER	1
<b>12VDC ELECTRICAL SYSTEM</b>		<b>1</b>
50-00-1310	ELECTRICAL SYSTEM - V-MUX - TRACTOR APP.	1
50-00-2110	PANAVISE SWIVEL MOUNTING BRACKET	1
50-03-0001	TEMPERATURE SENSOR & READ-OUT - EXTERNAL	1
50-05-0000	AMP DRAW REPORT - NFPA 1901, Section 9-15	1
50-06-0000	MESSAGE DISPLAY - DO NOT MOVE TRUCK	1
50-06-1110	SAFETY INTERLOCK SYSTEM - MED/HD CHASSIS	1
50-10-0100	CAB CONSOLE - FLOOR MOUNT - INTERNATIONAL/FREIGHTLINER - VISIONMUX/V-MUX	1
50-20-0200	BRACKET- HAVIS-SHIELDS SIREN FOR WHELEN 295-Series	1
50-40-0200	CLEARANCE LIGHTS, LED & REFLECTORS - TRAILER	1
50-40-1100	LOWER AUXILIARY LED MARKER LIGHTS	1
50-50-0200	TAIL LIGHT ASSY - LED STOP/TURN/BACKUP with CHROME BEZELS	1
50-50-4000	STOP LIGHT, LED AUXILIARY UPPER (PR)	1
50-50-6000	JAKE BRAKE LIGHT ACTIVATION	1
50-51-9000	AUXILIARY LED TURN SIGNALS - AMBER, CENTER BODY	1
51-10-1810	SCENE LIGHT - SIDE - WHELEN M9 LED OPTI-SCENE (EA)	4
51-10-2850	SCENE LIGHT - REAR - WHELEN M9 LED OPTI-SCENE (EA)	2
51-11-0100	SCENE LIGHT - REAR REVERSE ACTIVATED - V-MUX	1
51-11-0150	SCENE LIGHT - SIDE REVERSE ACTIVATED - V-MUX	1
51-19-0110	GROUND LIGHTS - TECNIQ LED - UNDERBODY MOUNTED (EA)	7
51-19-0130	GROUND LIGHTS ACTIVATED BY TURN SIGNALS /REVERSE	1

PART NO	DESCRIPTION	QTY
51-50-1810	COMPARTMENT LIGHTS - LED STRIP - 24" RECESSED	6
51-50-1850	COMPARTMENT LIGHTS - LED STRIP - 42" RECESSED	10
51-55-1000	COMP'T OPEN WARNING & AUTO ACTIVATION - V-MUX	1
51-55-2000	COMP'T OPEN WARNING BUZZER	1
51-56-0100	COMP'T OPEN WARNING LIGHT - LED	1
<b>NFPA 1901 WARNING LIGHTS</b>		<b>1</b>
<b>UPPER ZONE A - FRONT CAB WARNING LIGHTS</b>		<b>1</b>
54-01-1556	WHELEN JUSTICE JE2NFPA - 56" LIGHT BAR - V-END Configuration	1
54-01-9902	BRACKET, LIGHTBAR CAB ROOF MOUNTING -Whelen	1
<b>LOWER ZONE A - FRONT CAB WARNING LIGHTS</b>		<b>1</b>
54-10-07RC	WHELEN C7LRC RED SURFACEMAX - CLEAR LENS W/C7FC CHROMED BEZEL (ea)	2
54-15-5000	HEADLIGHT WIG-WAG PATTERN - V-MUX	1
<b>LOWER ZONE B/D - CAB INTERSECTION WARNING LIGHTS</b>		<b>1</b>
54-20-05RC	WHELEN 50R02ZCR RED SUPER-LED - CLEAR LENS W/5TSMAC CHROME BEZEL (ea)	2
<b>LOWER ZONE B/D - SIDE BODY WARNING LIGHTS</b>		<b>1</b>
54-21-06RC	WHELEN C6LRC RED SURFACEMAX - CLEAR LENS W/C6FC CHROMED BEZEL (ea)	6
<b>LOWER ZONE C - REAR BODY WARNING LIGHTS</b>		<b>1</b>
54-25-06RC	WHELEN C6LRC RED SURFACEMAX - CLEAR LENS W/C6FC CHROMED BEZEL (ea)	2
<b>UPPER ZONE B/D - SIDE BODY WARNING LIGHTS</b>		<b>1</b>
54-30-09RC	WHELEN C9LRC RED SURFACEMAX - CLEAR LENS W/C9FC CHROMED BEZEL (ea)	4
<b>UPPER ZONE C - REAR BODY WARNING LIGHTS</b>		<b>1</b>
54-31-09RC	WHELEN C9LRC RED SURFACEMAX - CLEAR LENS W/C9FC CHROMED BEZEL (ea)	2
<b>AUDIBLE WARNING DEVICES</b>		<b>1</b>
55-22-1000	SIREN - WHELEN ELECTRONIC - 295SLSA1	1
55-30-1000	HORN/SIREN SWITCH	1
55-41-4020	SPEAKER, SIREN - FREIGHTLINER M2 - THROUGH-THE-BUMPER (EA)	1
58-50-1000	12VDC POWER STRIP - (6) TERMINALS - CAB	1
58-80-1000	BACK-UP ALARM - FEDERAL 210333	1
58-82-0005	REARVIEW COLOR CAMERA W/NIGHTVISION & MONITOR - TRAILER	1
59-59-0000	ANTENNA COAXIAL W/CONNECTOR - MOTOROLA 17'	1
<b>MISCELLANEOUS EQUIPMENT</b>		<b>1</b>
89-99-9600	DOT SAFETY KIT	1
<b>ADMINISTRATIVE - FIXED</b>		<b>1</b>



\*\*\*ORIGINAL\*\*\*



STREETSIDE EXTERIOR

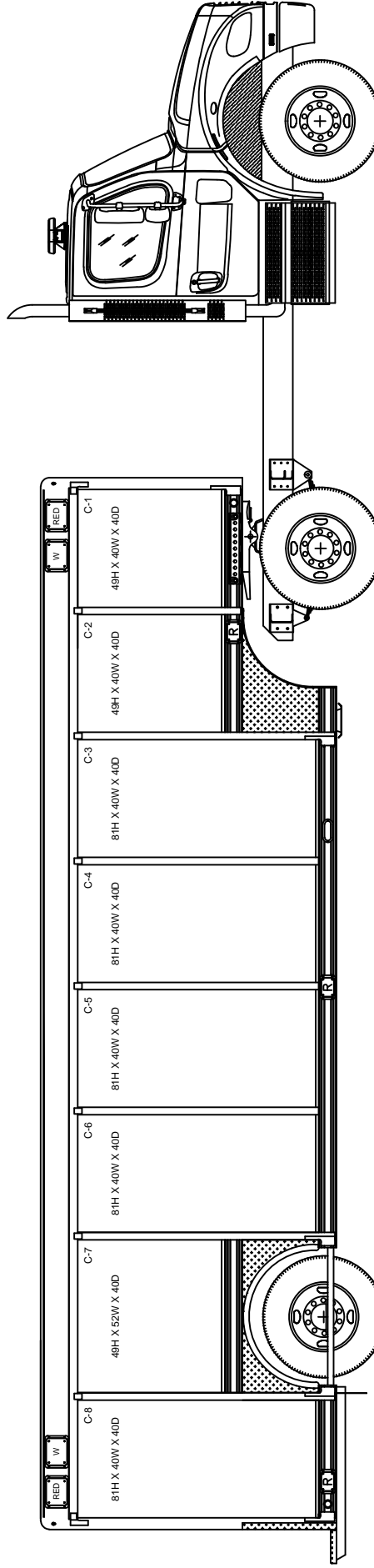
THIS PRINT AND ALL RIGHTS TO THE DESIGN AND DETAIL ARE RESERVED BY VT HACKNEY INC. ANY REPRODUCTION OF THIS DRAWING WITHOUT THE WRITTEN PERMISSION OF VT HACKNEY INC. IS STRICTLY PROHIBITED. THE RECIPIENT SHALL BE RESPONSIBLE FOR THE PROTECTION OF THIS DRAWING. ALL CONTENTS ARE CONFIDENTIAL AND MUST NOT BE COPIED OR REPRODUCED IN ANY MANNER WITHOUT THE WRITTEN PERMISSION OF VT HACKNEY INC. COPYRIGHT 2015 VT HACKNEY A COMPANY OF VT SYSTEMS

VT Hackney  
A company of VT Systems  
WASHINGTON, NC 27688-0880

Hackney  
Klaxon

APPROVED BY: EES	DATE: 02/01/18	CUSTOMER: NJPA
SHEET: 2 OF 3	SCALE: 3/8" = 1'-0"	CONTRACT #: 15-0000000000
MODEL: TR-1682	SCALE: 35	DATE: 02/01/18

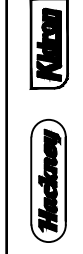
\*\*\*ORIGINAL\*\*\*



### CURBSIDE EXTERIOR

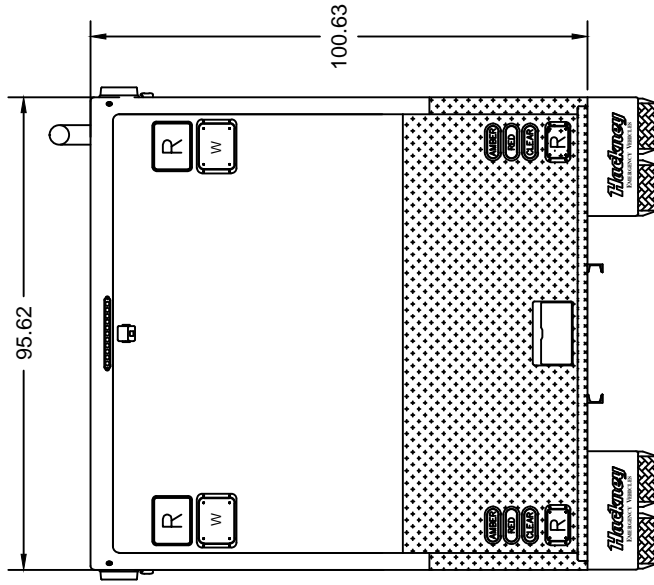
THIS PRINT AND ALL RIGHTS TO THE DESIGN AND DETAIL ARE RESERVED BY VT HACKNEY INC. AND WILL REMAIN THE PROPERTY OF VT HACKNEY INC. ALL RIGHTS ARE RESERVED TO THE RECIPIENT SUBJECT TO RETURN UPON DEMAND. ITS CONTENTS ARE CONFIDENTIAL AND MUST NOT BE COPIED OR REPRODUCED IN ANY MANNER WITHOUT THE WRITTEN PERMISSION OF VT HACKNEY INC. COPYRIGHT 2015 VT HACKNEY A COMPANY OF VT SYSTEMS

**VT Hackney**  
A company of **VT Systems**  
WASHINGTON, NC 27688-0880

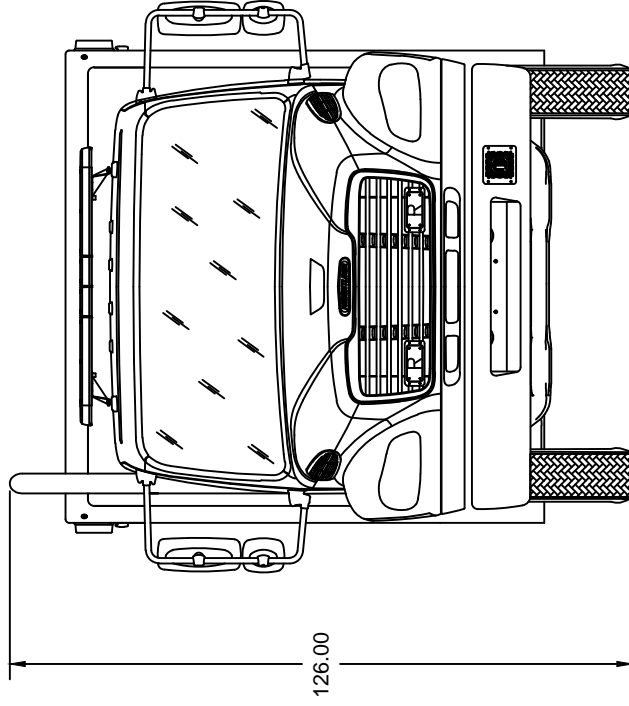


PROJECT NO:	EES	DATE:	02/01/18	CUSTOMER:	NJPA
SHEET:	3	OF:	3	CONTRACT #:	
MODEL:	TR-1682	SCALE:	35	DRAWING NO:	

\*\*\*ORIGINAL\*\*\*



REAR VIEW



FRONT VIEW

THIS PRINT AND ALL RIGHTS TO THE DESIGN AND DETAIL  
 HEREIN ARE RESERVED BY VT HACKNEY INC. AND  
 TO THE RECIPIENT SUBJECT TO RETURN UPON DEMAND. ITS  
 CONTENTS ARE CONFIDENTIAL AND MUST NOT BE COPIED  
 OR REPRODUCED IN ANY MANNER WITHOUT THE WRITTEN  
 PERMISSION OF VT HACKNEY INC. COPYRIGHT 2015 VT HACKNEY A COMPANY OF VT SYSTEMS

**VT Hackney**  
 A company of VT Systems  
 WASHINGTON, NC 27688-0880



CUSTOM DESIGN FOR:

NJPA

CONTRACT #

02/01/18

3 OF 3

SCALE

25

DRAWING NO.

TR-1682

EES

SHEET

MODEL

REF

-